



[Home](#)
 [Kitchen and Bathroom Fans](#)
 [Commercial fans](#)
 [Air Distribution Products](#)
 [PDF Catalogs](#)
 [About Us](#)
 [Contact Us](#)
 [CORPORATE BLOG](#)

[Vitro L](#)

[Z star](#)

[B 4](#)

[B 3](#)

[LD](#)

[X](#)

[X Star](#)

[R](#)

[VKO 1](#)

[VKO](#)

S

[M](#)

[M 3](#)

[MA](#)

[K](#)

[K 1](#)

[PF](#)

[D](#)

[MAO 1](#)

[MAO 2](#)

[CF](#)

[VN](#)

[Modern](#)

Vents-US / Kitchen and Bathroom Fans / S

S

Axial extract S fans are the perfect alternative to the classic thick-walled fans.

Along with the aesthetic appeal of the thin profile models, they also include several important features for ease of installation and maintenance.

The fans can be mounted both on the ceiling and to the wall, and are compatible with the 4", 5" and 6" ducts.

No additional mounting boxes or special niches are needed, just connect the fan to the air duct and fasten it with the screws.

The fans can be connected to the supply through a switch, cord or dimmer.

Caution: the fans must not be placed in the shower cabin or in the area where water splashes can spread.

Features of S fans:

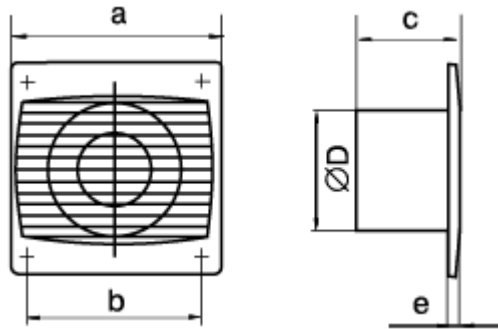
- Made of high quality ABS plastic
- 7-blades silent impeller
- Suitable for operation in ambient temperatures
- from 40°F to +100°F
- Compatible with 4", 5" and 6" ducts
- Airflow from 41 up to 126 CFM
- Color options: white
- Integrated component design allows all parts
- to be dismantled for cleaning without the use
- of specialist tools
- Supply voltage 120V/1/60 Hz.
- 5 years warranty

Modification options:



- Timer (ST)
- Timer and humidity sensor (STH)
- Pull cord switch (SV)
- Timer and pull cord switch (SVT)
- Timer, humidity sensor and pull cord switch (SVTH)
- Bearing motor S...L
- Back valve S ...K
- Shortened joining flange - only for 4" and 5" diameters (model S1)

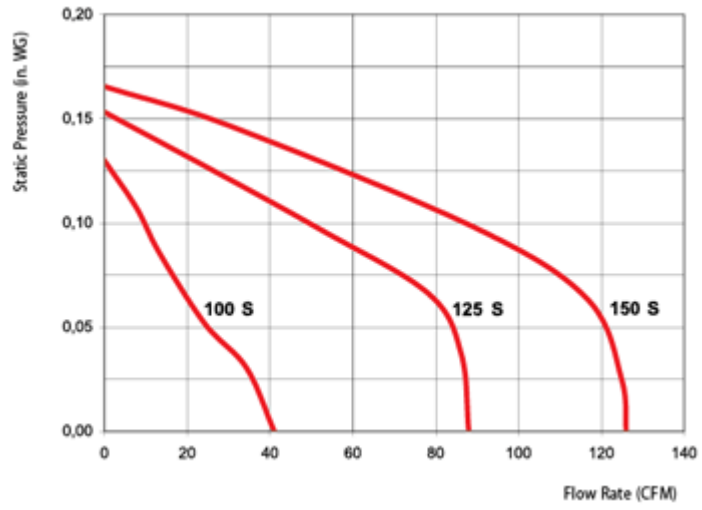
Specification



Model	a	b	c	D	e
100 S	5 ⁷ / ₈ "	4 ³ / ₄ "	4 ¹ / ₄ "	3 ¹⁵ / ₁₆ "	1/2"
125 S	6 ¹⁵ / ₁₆ "	5 ¹ / ₂ "	4 ¹ / ₂ "	4 ¹⁵ / ₁₆ "	1/2"
150 S	8 ¹ / ₁₆ "	6 ¹ / ₂ "	5 ³ / ₁₆ "	5 ⁷ / ₈ "	1/2"

Model	RPM	Sones	Duct Diam.	Max Watts	Max Amps	CFM	Volts
100 S	2945	1,37	4"	14,1	0,18	41	115
125 S	2155	2,16	5"	16,7	0,20	88	115
150 S	2290	3,00	6"	30,42	0,38	126	115

Diagramms of Pressure loss



Copyright © 2010 Ventilation System. All rights reserved.

11013 Kenwood Rd, Cincinnati, Ohio 45242. Tel: 1-513-348-3853