

# WIND DIRECTIONAL CAP

---



## PROVIDES MAXIMUM DRAFT WHILE PREVENTING WIND RELATED DOWNDRAFTS

- ◆ Increases efficiency of stove or fireplace.
- ◆ Use for chimney exhausting or building ventilation.
- ◆ Can be used with single, double or triple wall pipe (requires WCA adapter) or with vent base.
- ◆ Constructed for strength and durability.
- ◆ Available in stainless steel or galvanized.
- ◆ Ready to install.



---

***FRESH AIR MANUFACTURING CO.***

*Technologies in Ventilation*

649 N. Ralstin St., Meridian, ID 83642 \* (208)884-8931 \* 800-234-1903 \* FAX: (208)884-8943

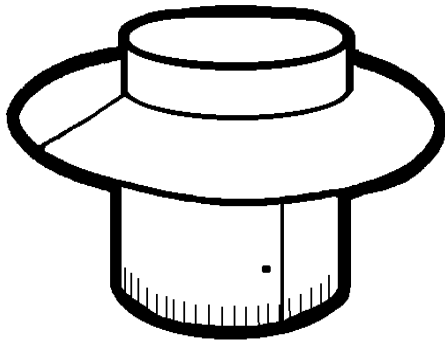
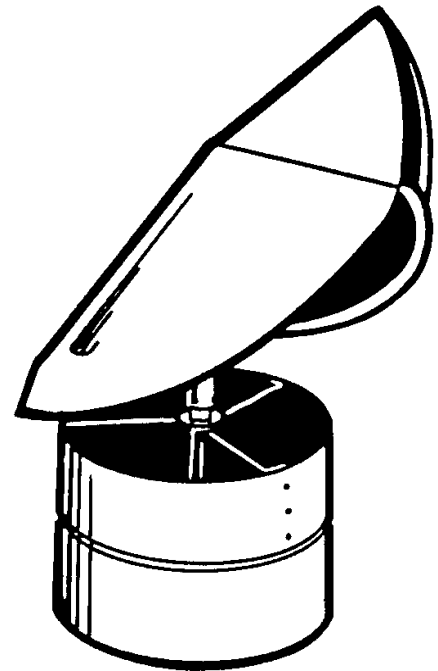


**FAMCO**

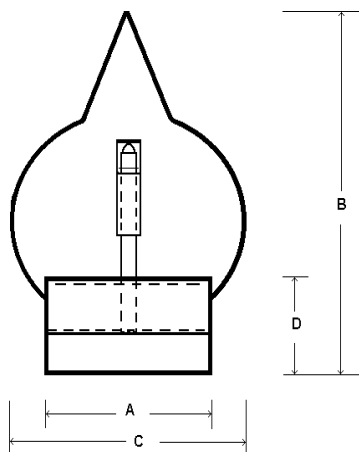
# WIND DIRECTIONAL CAP

Research has proven that the most effective draft inducing caps are those that 1) separate the wind stream as it flows over the cap and 2) those that rotate to align with the direction of the wind. FAMCO's Wind Directions Caps do both to provide maximum drafting.

In usage, the pivoted hood is kept in proper position (relative to the wind) by the vane. Air movement past the hood creates a partial vacuum in the flue, enhancing efficiency and helping to prevent downdraft.



**WCA Adapter**



WIND DIRECTIONAL CAP DETAIL					
Size	A	B	C	D	Free Area in sq. "
6"	6"	13.5"	10.5"	5"	28
7"	7"	16"	12"	5"	38
8"	8"	16.5"	14"	5"	50
9"	9"	19"	16"	6"	63
10"	10"	20"	18"	6"	78
12"	12"	24"	21"	7"	113
14"	14"	27"	24"	7"	153



**FRESH AIR MANUFACTURING CO.**  
*Technologies in Ventilation*