



Young Regulator Co.

7100 Krick Rd • Walton Hills, OH 44146

P: 440-232-9700 • F: 440-232-8266

www.youngregulator.com

Submit 301EZ-FS

Flex Shaft Assembly

Operator 1200 Worm Gear - Flexible Steel Shaft - FS-XX • Termination - 301EZ-FS

Application and Design

Flexible Shafting is a direct, mechanical method for transmitting rotary motion between two points.

Dampers can be controlled remotely with the Young Regulator Flexible Shaft Assemblies. A model 1200 Worm Gear Regulator is fastened to the damper shaft. A flexible steel shaft is coupled to the worm gear operating shaft and carried down to the ceiling line. Choose a termination option (301EZ-FS shown here).

NOTE: FULL ASSEMBLY CONSISTS OF WORM GEAR, FLEX SHAFT AND TERMINATION (EACH ORDERED SEPARATELY)

OPERATOR

Model 1200 Worm Gear – Self-Locking Regulator
Designed for 1/2" round or 3/8" square damper shafts. Fastened to the side of the damper and tightened onto the damper shaft.

- Optional 1200-1/4 for 5/16" rd. and 1/4" sq. damper shafts
- Worm gear included with model 5020-1200 round damper (see catalog page C-410) and 820-1200 rectangular damper (see catalog page C-420)

FLEX SHAFT

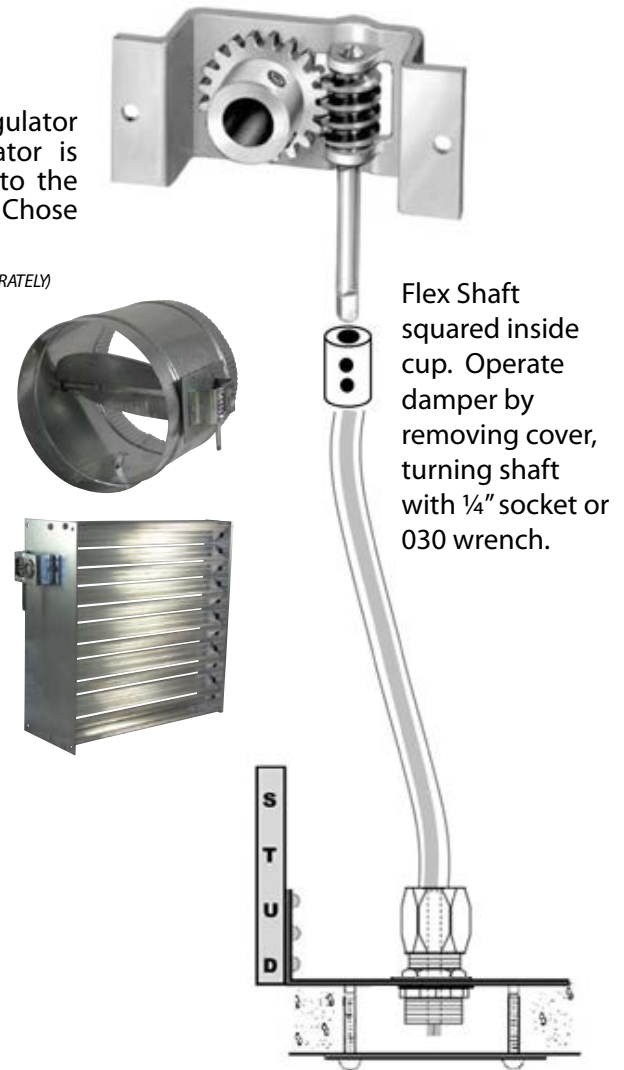
FS-XX (specify length in feet). Includes a coupling to attach to the worm gear & sheathing. The flexible steel shaft is a single wire around which successive multi-stranded layers of wire are wrapped. It is .250" in diameter, has a brass finish, and is capable of delivering more than 50# of torque without damage.

- Standard lengths: 1', 3', 6', 8'
- Custom lengths to 50'

CEILING TERMINATION - 301EZ-FS

301EZ-FS - Angle Bracket that fastens to stud above sheet rock ceiling & 3" Zinc Plated Cover Plate *Optional 3 3/4" covers available

- Optional Stainless Cover Plate
- Optional Primer Cover Plate * Recessed Screws for flush mount
- Optional Chrome Cover Plate
- Optional 315 Adjustable Cover



QUANTITY	1200/1200 - 1/4	FLEX SHAFT LENGTH	TERMINATION	NOTES

PROJECT	LOCATION
CONTRACTOR	DESIGN SPECIFIER