

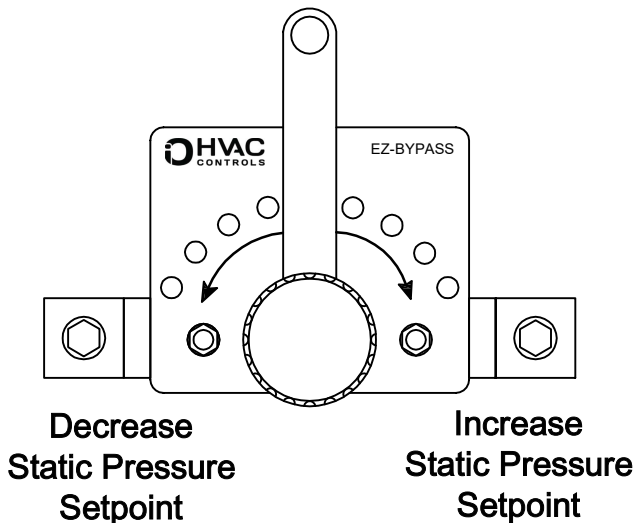
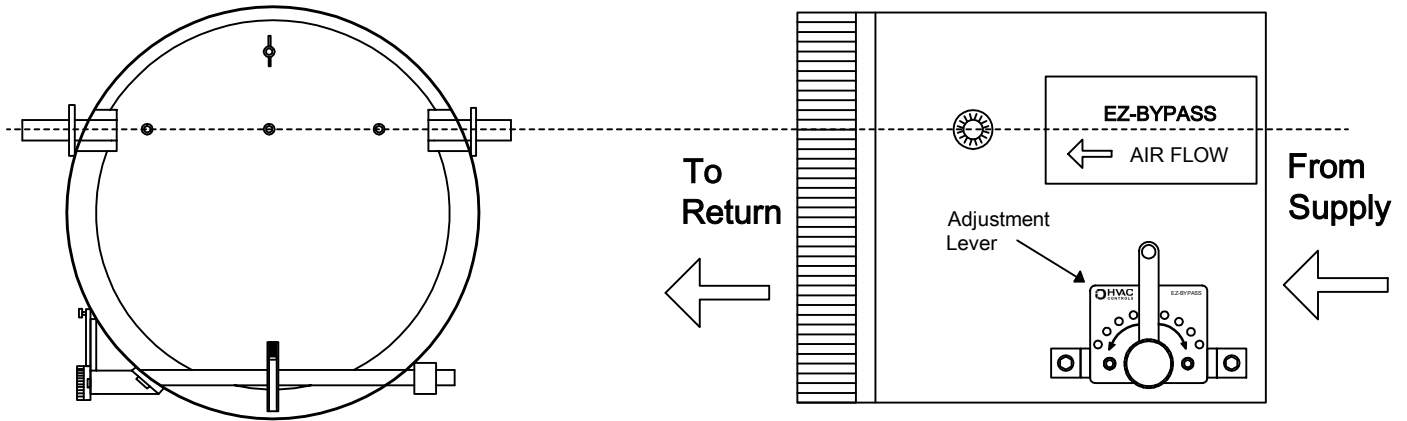
EZ-BD-XX Barometric Bypass Damper Installation Manual

Principle of Operation:

As individual zone dampers open and close, the HVAC system static pressure changes. In order to maintain design airflow and static pressure, as well as prevent air noise, the EZ-BD bypass damper is used to direct a portion of the air from the main supply duct back to the return duct. EZ-BD bypass dampers can be used with systems having static pressure of up to 0.75" w.c.

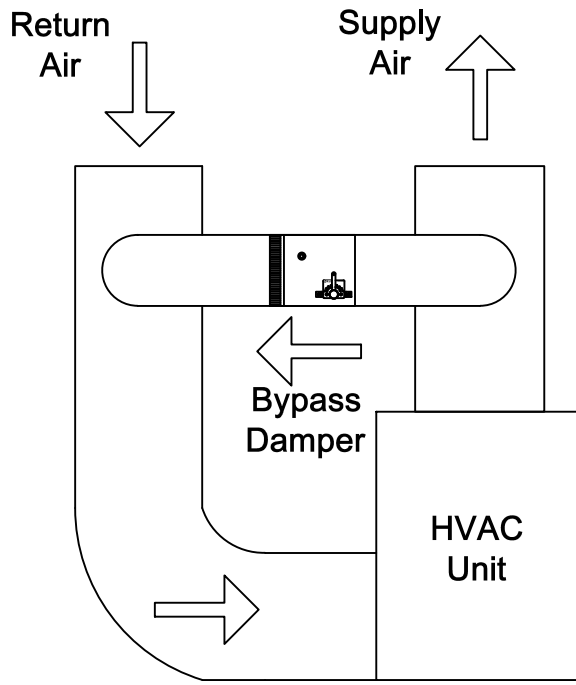
Installing The EZ-BD:

Depending on the HVAC duct work configuration, the bypass damper should be ducted from the main supply air plenum to the return air duct. The bypass damper should always be installed in the supply air duct before any zone dampers. The EZ-BD can be mounted horizontally, but only vertically with upward airflow (see next page for details). Make sure that the air flow direction arrow located on the bypass damper label is pointing towards the return air duct.



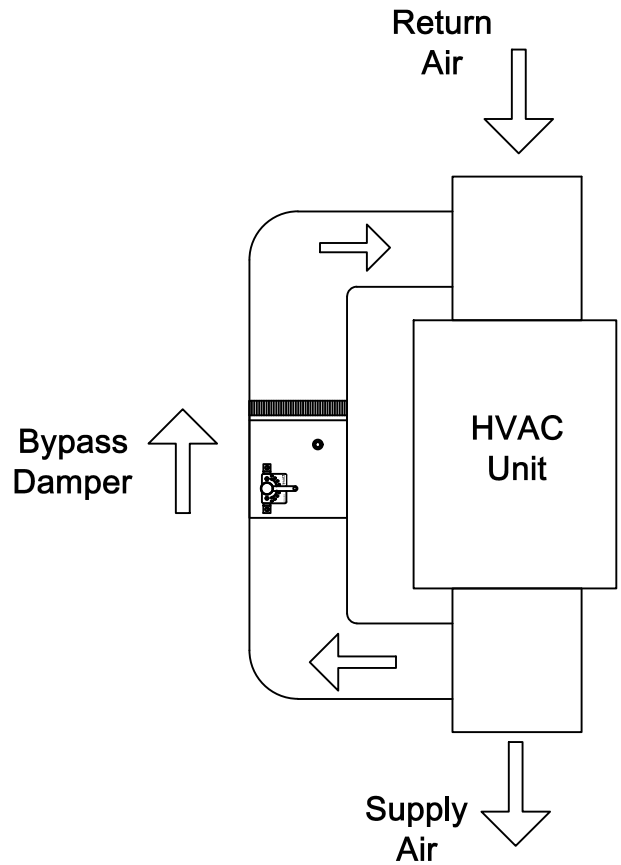
Adjusting The EZ-BD:

The EZ-BD is factory-calibrated for roughly 0.4" w.c., which should fit most applications, but it can be adjusted. To increase the static pressure setpoint, turn the lever clockwise, which will improve airflow in the system. To decrease the setpoint, turn the lever counterclockwise, which can help reduce noise in the system.



EZ-BD Orientation:

The EZ-BD can be installed horizontally in the direction of airflow. If installing vertically, the airflow in the damper must be in the upward direction. This is to ensure no leakage occurs due to the effects of gravity on the blade. Reference the diagrams for some example configurations.



Bypass Damper Sizing Chart	
Cooling Tonnage	Size
2.5	8"
3	10"
5	12"
7.5	14"