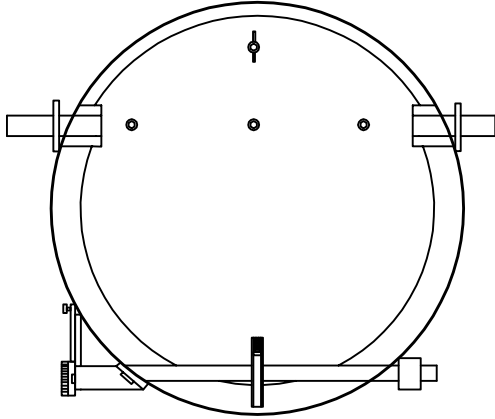


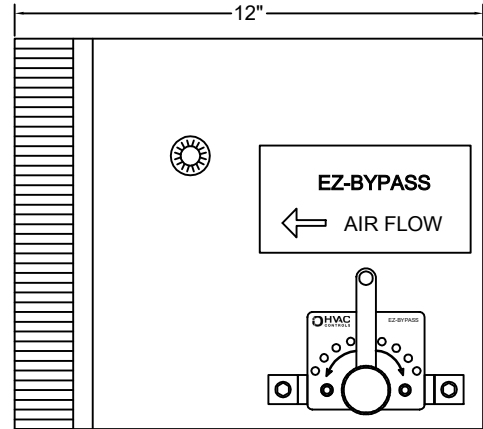
SPECIFICATION SHEET

EZ-BD-XX Barometric Bypass Damper with Easy Adjustment Lever

Back



Side



SPECIFICATIONS

DIMENSIONS:

Barometric bypass damper models EZ-BD-XX are available in the following sizes: 8", 10", 12", 14"

APPLICATION:

Passively maintains system static pressure in zone control and other HVAC applications. Factory-calibrated at 0.4" w.c., but can be adjusted in either direction with the turn of a lever.

Damper can be mounted horizontally or vertically in the direction of airflow.

DAMPER CONSTRUCTION:

22 gauge steel shell

20 gauge steel blade

1/2" and 3/8" aluminum shafts

Nylon bushings

Airtight blade seals

ABS plastic adjustment bracket and pulley mechanism

RECOMMENDED SIZING BASED ON COOLING TONNAGE:

2 Tons = 8"

3 Tons = 10"

4-5 Tons = 12"

7.5 Tons = 14"