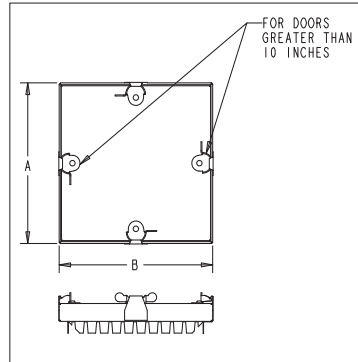


# Access Door w/ a tab lock frame (Cam Lock Only)



## Product Data Sheet



### Description

Elgen's access door with tab lock frame is used to access the inside of rectangular ductwork. Double paneled with front and back metal plates, and 1" insulation.

### Standard Construction

#### Door Panel:

Consists of 24GA GA, manufactured from ASTM A-653 G60, panels mechanically locked together.

#### Insulation:

1" high-density fiberglass insulation UL Classifications; FHC25/50, ASTM C 1071; Type 1, ASTM G 21, Greenguard Indoor Air Quality Certified\*, Greenguard Children and Schools, NFPA 90A and 90B.

#### Gasket:

Closed-cell neoprene gasket is UL94HF1 listed with service temperature range of 20° F to 200° F The gasket is bonded to the inside of the frame.

#### Dovetail Frame:

Measuring 6" x 6" to 12" x 12" are manufactured from 24 gauge galvanized steel. Frames measuring 14" x 14" to 24" x 24" are manufactured from 22 gauge galvanized steel. All frames are manufactured with spot welds at each corner for increased strength and an improved dovetail design for easy installation on metal duct.

#### Cams & Strikes:

The cam is stamped using 16 Ga galvanized steel. The latch is stamped from 20 Ga galvanized steel. Each cam is secured to the door with a rivet. The latch is secured to the frame in two locations for added rigidity.

### Features

Meets 2005 SMACNA Standards for pressure class & gauges(Refer to page 7-2, figure 7-2)  
Union Made

Regular doors can be used up to 4"wg  
High Pressure doors can be used up to 10"wg

### Optional Construction

Closed cell foam insulation(in place of fiberglass)  
Additional Cams  
1.5" thick and 2" thick  
Neoprene gasket bonded outside of the frame  
Stainless Steel 304  
Stainless Steel 316  
Aluminum  
PCD  
Galvanneal (Paint Grip)

#### Hi-Pressure (Up to 10" W.G. +/-):

20GA and Fully Welded  
1/16" Diameter Galvanized Cable-wire  
Locking Haps for Padlocks

### Packaging

Size A x B	# of Cams	Box Qty	Weight (lbs)
6 x 6	2	48	1.3
8 x 8	2	36	1.9
10 x 10	2	20	2.6
12 x 12	2	16	3.5
14 x 14	2	5	5.7
16 x 16	4	5	7.2
16 x 12	4	4	5.7
18 x 18	4	5	8.7
18 x 12	4	4	6.3
20 x 20	4	4	10.5
24 x 24	4	4	14.3
24 x 12	4	4	8
24 x 18	4	4	11.2

### Guarantee

All Elgen products are guaranteed by Elgen Manufacturing against defective material.

#### Elgen Manufacturing

10 Railroad Ave, Closter NJ 07624  
Tel: 800.503.9805 :: Fax: 201.964.9030  
info@elgenmfg.com :: www.elgenmfg.com