



INDUSTRIAL DIRECT DRIVE 12

Electric Heated Air Curtain

Data Sheet

For Door Heights To 12' (environmental separation)

STANDARD CONSTRUCTION

- ½ hp single speed motor(s) - direct drive (Optional: three-speed)
- Factory mounted control panel
- Gray powder coated exterior with mill aluminum screen and access panels (Optional: Custom Color or Stainless)
- Wall & Top Mounting
- Front air intake (Optional: top)

- High efficiency Pro-V Nozzle
- Patented venturi open helical element with point suspension
 - Thermal overload protection
 - Aluminized steel frame
- Alternate kW: see sheet EP-402

2 Year
Limited
Warranty



MODEL	Nozzle Width (in)	Max Vel. at Nozzle (fpm)	Avg. Outlet Vel. (fpm)	Air Volume (cfm)	Outlet Vel. Uniformity	Power Rating (kW)	Motor(s) @ hp	Max Electric Capacity (kW)	Heater Output (MBH)	Air Temp. Rise (°F)	Net Wt. (lbs)
IDC12-1036E	36.00	5,166	1,728	1,512	87%	0.51	1 @ 1/2	14.0	47.8	29°	106
IDC12-1042E	42.00	5,550	1,551	1,583	89%	0.52	1 @ 1/2	14.0	47.8	28°	112
IDC12-1048E	48.00	5,292	1,366	1,594	78%	0.53	1 @ 1/2	14.0	47.8	28°	117
IDC12-1060E	66.00	5,079	1,019	1,634	74%	0.54	1 @ 1/2	14.0	47.8	27°	128
IDC12-2060E	66.00	4,781	2,010	2,931	85%	0.99	2 @ 1/2	28.0	95.6	30°	181
IDC12-2072E	72.00	5,166	1,728	3,024	87%	1.02	2 @ 1/2	28.0	95.6	29°	190
IDC12-2078E	78.00	5,166	1,633	3,095	87%	1.03	2 @ 1/2	28.0	95.6	28°	196
IDC12-2084E	84.00	5,550	1,551	3,166	89%	1.04	2 @ 1/2	28.0	95.6	28°	201
IDC12-2096E	99.00	5,292	1,366	3,188	78%	1.06	2 @ 1/2	28.0	95.6	28°	211
IDC12-3096E	99.00	4,781	1,846	4,443	85%	1.50	3 @ 1/2	42.0	143.3	30°	258
IDC12-2108E	108.00	5,079	1,230	3,228	74%	1.07	2 @ 1/2	28.0	95.6	27°	254
IDC12-3108E	108.00	5,166	1,728	4,536	87%	1.53	3 @ 1/2	42.0	143.3	29°	301
IDC12-2120E	117.00	5,079	1,149	3,268	74%	1.08	2 @ 1/2	28.0	95.6	27°	261
IDC12-3120E	117.00	5,166	1,604	4,678	87%	1.55	3 @ 1/2	42.0	143.3	28°	308
IDC12-3132E	132.00	5,292	1,484	4,760	78%	1.57	3 @ 1/2	42.0	143.3	28°	329
IDC12-3144E	144.00	5,292	1,366	4,782	78%	1.59	3 @ 1/2	42.0	143.3	28°	343
IDC12-4144E	144.00	5,166	1,728	6,048	87%	2.04	4 @ 1/2	56.0	191.1	29°	390
IDC12-4156E	156.00	5,166	1,633	6,190	87%	2.06	4 @ 1/2	56.0	191.1	28°	406
IDC12-4168E	168.00	5,550	1,551	6,332	89%	2.08	4 @ 1/2	56.0	191.1	28°	418
IDC12-4180E	180.00	5,292	1,452	6,354	78%	2.10	4 @ 1/2	56.0	191.1	28°	431
IDC12-5180E	180.00	5,166	1,728	7,560	87%	2.55	5 @ 1/2	70.0	238.9	29°	478
IDC12-4192E	192.00	5,292	1,366	6,376	78%	2.12	4 @ 1/2	56.0	191.1	28°	443
IDC12-5192E	192.00	5,292	1,635	7,631	78%	2.56	5 @ 1/2	70.0	238.9	29°	490

NOTES:

1. Operation at 50 Hz will generate approximately a 17% reduction in performance.
 2. Performance data based on AMCA licensed data from unheated units.
 3. Maximum leaving air temperature shall not exceed 120°F.
 4. Consult factory for available models with 208/240/1 power supplies and vertically mounted units.
- Berner does not recommend IDC12-1060E, IDC12-2096E and IDC12-2120E, exist only as an equivalent to competitors' models.
See sheet EP-402 for amp draws/total load requirements and alternate kW.

MODEL NUMBER CONFIGURATION

IDC12-1 036 E X-F-SS

Series	# of Motors	Opening Width	Heat	Voltage	Intake	Opt. Cabinet Finish
IDC12	1, 2, 3, 4, 5	036" - 192"	E=Electric Heated	X=208/3/60 Y=240/3/60 Z=480/3/60 Q=600/3/60 O=380/3/50	T=Top F=Front	SS=Stainless Steel CC=Custom Color

Sound level measured 10' (3m) from the unit in free field:
1, 2, 3, 4 & 5 motor(s): 63, dBA, 66 dBA, 68 dBA, 69 dBA & 70 dBA

Berner reserves the right to alter specifications without prior notice.

www.berner.com **Berner International Corporation** 800.245.4455
111 Progress Ave. / New Castle / PA / 16101 / USA

DS-402
July, 2015



INDUSTRIAL DIRECT DRIVE 12

Electric Heated Air Curtain

Electrical Performance Sheet

MODEL	kW (suffix)	Temp Rise °F	208/3/60 (voltage code X) MOTOR AMP DRAW = 3.5 each			240/3/60 (voltage code Y) MOTOR AMP DRAW = 3.5 each			480/3/60 (voltage code Z) MOTOR AMP DRAW = 1.4 each		
			# CKTS	AMPS PER CIRCUIT (including motor)	BREAKER RATING PER CIRCUIT	# CKTS	AMPS PER CIRCUIT (including motor)	BREAKER RATING PER CIRCUIT	# CKTS	AMPS PER CIRCUIT (including motor)	BREAKER RATING PER CIRCUIT
IDC12-1036E IDC12-1042E IDC12-1048E IDC12-1060E	14 (140)	28	1	42.4	60	1	37.2	50	1	18.2	25
	10 (100)	20	1	31.3	40	1	27.6	35	1	13.4	20
	8 (080)	16	1	25.7	35	1	22.7	30	1	11.0	15
	6 (060)	12	1	20.2	30	1	17.9	25	1	8.6	15
IDC12-2060E IDC12-2072E IDC12-2078E IDC12-2084E IDC12-2096E IDC12-2108E IDC12-2120E	28 (280)	28	2	45.9/38.9	60/50	2	40.7/33.7	60/45	1	36.5	50
	20 (200)	20	2	34.8/27.8	45/35	2	31.1/24.1	40/35	1	26.9	35
	16 (160)	16	2	29.2/22.2	40/30	1	45.5	60	1	22.0	30
	12 (120)	12	1	40.3	50	1	35.9	50	1	17.2	25
IDC12-3096E IDC12-3108E IDC12-3120E IDC12-3132E IDC12-3144E	42 (420)	28	3	45.9/42.4/38.9	60/60/50	3	44.2/33.7/33.7	60/45/45	2	21.0/33.7	30/45
	30 (300)	20	3	38.3/27.8/27.8	50/35/35	2	34.6/48.1	45/60	1	40.3	50
	24 (240)	16	2	32.7/44.4	40/60	2	29.7/38.5	40/50	1	33.1	45
	18 (180)	12	2	27.2/33.3	35/45	2	24.9/28.9	30/40	1	25.9	35
IDC12-4144E IDC12-4156E IDC12-4168E IDC12-4180E IDC12-4192E	56 (560)	28	4	45.9/45.9/38.9/38.9	60/60/50/50	4	40.7/40.7/33.7/33.7	50/50/45/45	2	39.3/33.7	50/45
	40 (400)	20	4	34.8/34.8/27.8/27.8	45/45/35/35	3	31.1/31.1/48.1	40/40/60	2	29.7/24.1	40/35
	32 (320)	16	3	29.2/29.2/44.4	40/40/60	2	45.5/45.5	60/60	1	44.1	60
	24 (240)	12	2	47.3/33.3	60/45	2	42.9/28.9	60/40	1	34.5	45
IDC12-5180E IDC12-5192E	70 (700)	28	5	45.9/45.9/42.4/38.9/38.9	60/60/60/50/50	5	44.2/40.7/33.7/33.7/33.7	60/50/45/45/45	3	23.8/33.7/33.7	30/45/45
	50 (500)	20	5	45.3/27.8/27.8/27.8/27.8	60/35/35/35/35	3	41.6/48.1/48.1	50/60/60	2	31.1/36.1	40/50
	40 (400)	16	3	39.7/44.4/44.4	50/60/60	3	36.7/38.5/38.5	45/50/50	2	26.2/28.9	35/40
	30 (300)	12	3	34.2/33.3/33.3	40/45/45	2	42.9/46.8	60/60	1	43.1	60



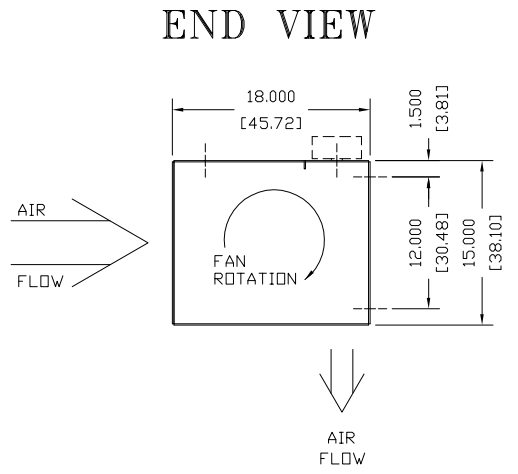
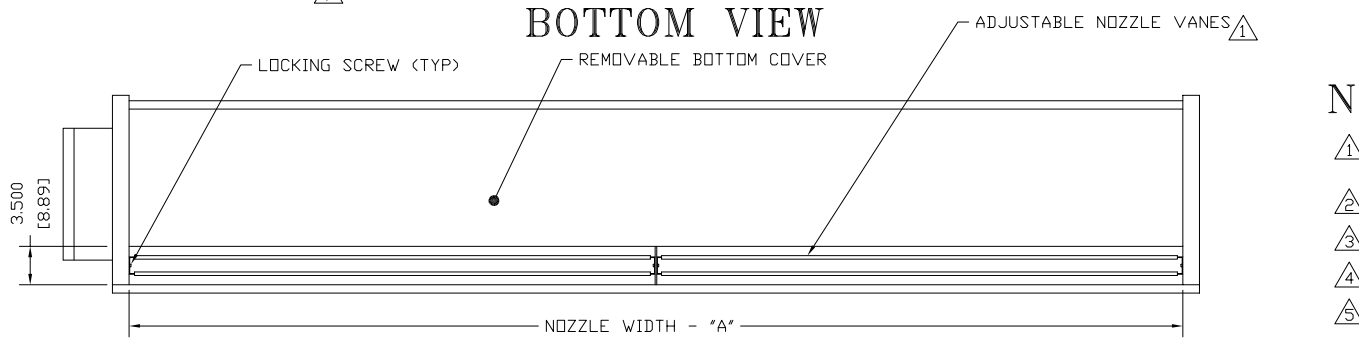
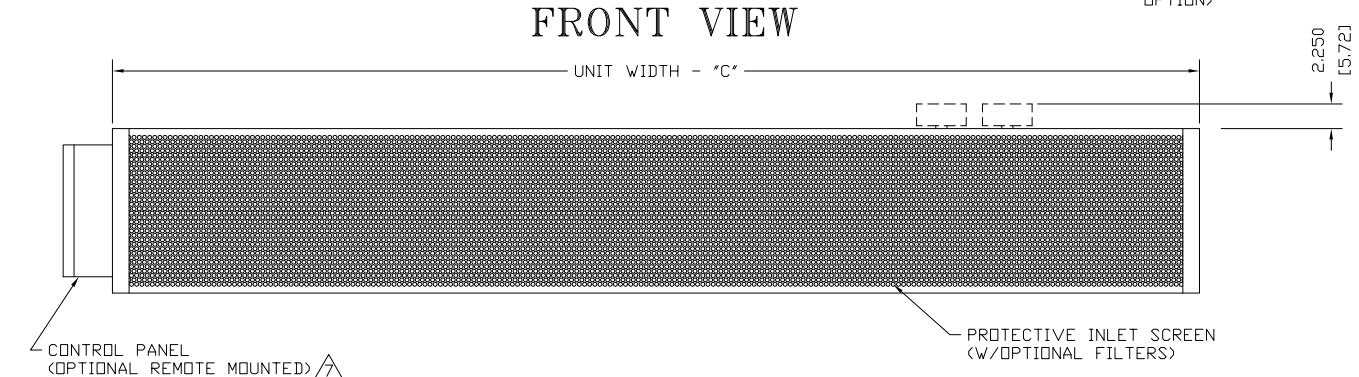
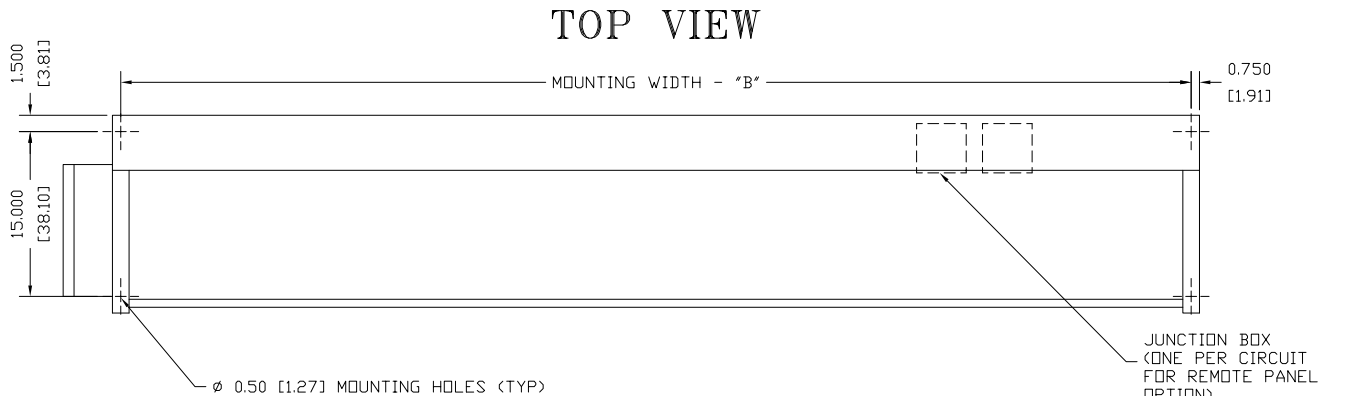
INDUSTRIAL DIRECT DRIVE 12

Electric Heated Air Curtain

Electrical Performance Sheet

MODEL	kW (suffix)	Temp Rise °F	600/3/60 (voltage code Q) MOTOR AMP DRAW = 1.0 each			380/3/50 (voltage code O) MOTOR AMP DRAW = 3.5 each		
			# CKTS	AMPS PER CIRCUIT (including motor)	BREAKER RATING PER CIRCUIT	# CKTS	AMPS PER CIRCUIT (including motor)	BREAKER RATING PER CIRCUIT
IDC12-1036E IDC12-1042E IDC12-1048E IDC12-1060E	14 (140)	28	1	14.5	20	1	24.8	35
	10 (100)	20	1	10.6	15	1	18.7	25
	8 (080)	16	1	8.7	15	1	15.7	20
	6 (060)	12	1	6.8	15	1	12.6	20
IDC12-2060E IDC12-2072E IDC12-2078E IDC12-2084E IDC12-2096E IDC12-2108E IDC12-2120E	28 (280)	28	1	28.9	40	2	28.3/21.3	35/30
	20 (200)	20	1	21.2	30	1	37.4	50
	16 (160)	16	1	17.4	25	1	31.3	40
	12 (120)	12	1	13.5	20	1	25.2	35
IDC12-3096E IDC12-3108E IDC12-3120E IDC12-3132E IDC12-3144E	42 (420)	28	1	43.4	60	2	31.8/42.5	40/60
	30 (300)	20	1	31.9	40	2	25.7/30.4	35/40
	24 (240)	16	1	26.1	35	1	47.0	60
	18 (180)	12	1	20.3	25	1	37.8	50
IDC12-4144E IDC12-4156E IDC12-4168E IDC12-4180E IDC12-4192E	56 (560)	28	2	30.9/26.9	40/35	3	35.3/42.5/21.3	45/60/30
	40 (400)	20	1	42.5	60	2	44.4/30.4	60/40
	32 (320)	16	1	34.8	45	2	38.3/24.3	50/35
	24 (240)	12	1	27.1	35	2	41.3/9.1	50/15
IDC12-5180E IDC12-5192E	70 (700)	28	2	31.9/40.4	40/60	3	38.8/42.5/42.5	45/60/60
	50 (500)	20	2	24.2/28.9	30/40	2	47.9/45.6	60/60
	40 (400)	16	1	43.5	60	2	41.8/36.5	50/50
	30 (300)	12	1	33.9	45	2	44.8/18.2	60/25

IDC12 ELECTRIC HEATED

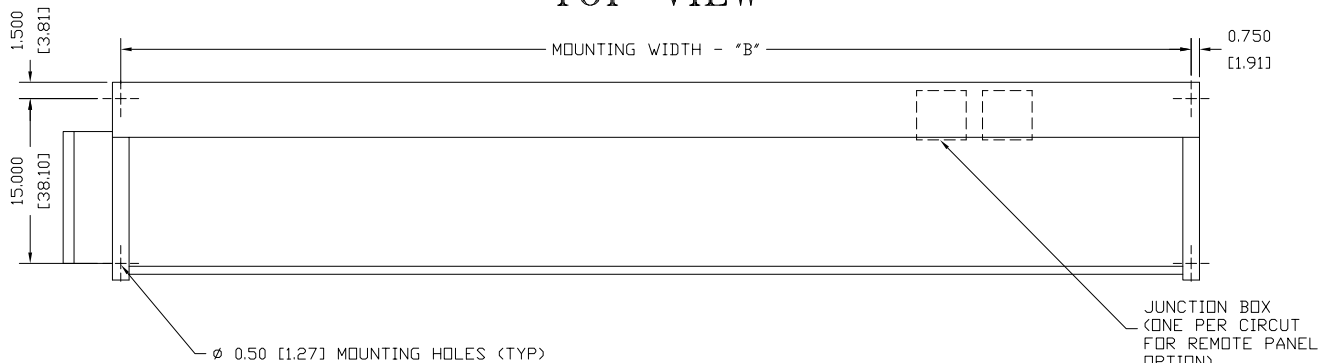


- NOTES:**
- ⚠ AIR CURTAIN MUST BE INSTALLED SO AIR STREAM IS NOT OBSTRUCTED WHEN DEFLECTED 20° TO EITHER SIDE OF C.
 - ⚡ ELECTRICAL CONNECTIONS TO BE FLEXIBLE.
 - ③ FIELD VERIFY DIMENSIONS.
 - ⚠ ANCHORS TO SUPPORTING STRUCTURE BY OTHERS.
 - ⚠ ADEQUACY OF SUPPORTING STRUCTURE IS TO BE VERIFIED BY A PROFESSIONAL STRUCTURAL ENGINEER.
 - ⚠ LETTER "E" IN MODEL NUMBER DESIGNATES, ELECTRIC HEATED UNIT.
 - ⚠ STANDARD CONTROL PANEL LEFT HAND MOUNT, OPTIONAL RIGHT HAND MOUNT, OR REMOTE. PLEASE SPECIFY.
 - Ⓜ DIMENSIONS IN INCHES [CENTIMETERS].

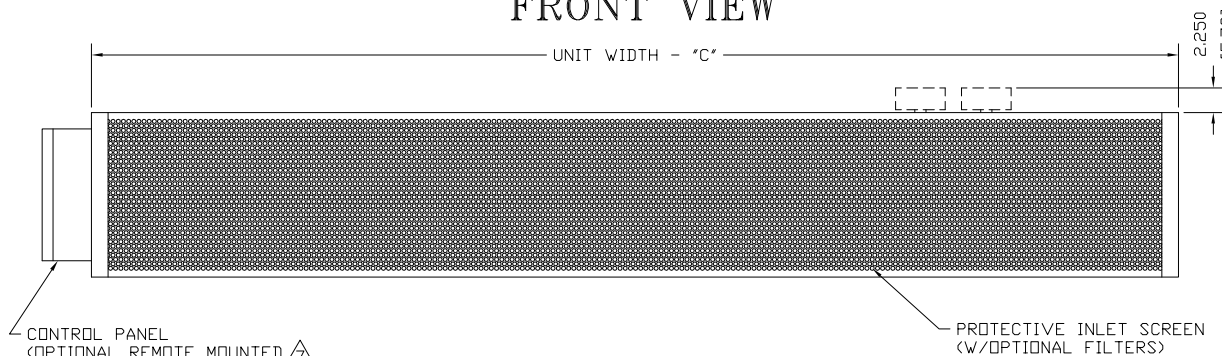
MODEL ⚠	NOZZLE WIDTH "A"	MOUNTING WIDTH "B"	UNIT WIDTH "C"
IDC12-1036E	36.00 [91.44]	37.50 [95.25]	39.00 [99.06]
IDC12-1042E	42.00 [106.68]	43.50 [110.49]	45.00 [114.30]
IDC12-1048E	48.00 [121.92]	49.50 [125.73]	51.00 [129.54]
IDC12-1060E/2060E	66.00 [167.64]	67.50 [171.45]	69.00 [175.26]
IDC12-2072E	72.00 [182.88]	73.50 [186.69]	75.00 [190.50]
IDC12-2078E	78.00 [192.12]	79.50 [201.93]	81.00 [205.74]
IDC12-2084E	84.00 [213.36]	85.50 [217.17]	87.00 [220.98]
IDC12-2096E/3096E	99.00 [251.46]	100.50 [255.27]	102.00 [259.08]
IDC12-2108E/3108E	108.00 [274.32]	109.50 [278.13]	111.00 [281.94]
IDC12-2120E/3120E	117.00 [297.18]	118.50 [300.99]	120.00 [304.80]
IDC12-3132E	132.00 [335.28]	133.50 [339.09]	135.00 [342.90]
IDC12-3144E/4144E	144.00 [365.76]	145.50 [369.57]	147.00 [373.38]

PROJECT		
LOCATION		
ARCHITECT		
ENGINEER		
DWG. NO.	IDC12-ELE1	TITLE: BERNER
DATE	28MAY14	MODEL IDC12 AIR CURTAIN
BY	S. Beil	ELECTRIC HEATED SYSTEM
REPLACES	-	BERNER INTERNATIONAL CORP. NEW CASTLE, PA.
BY	-	

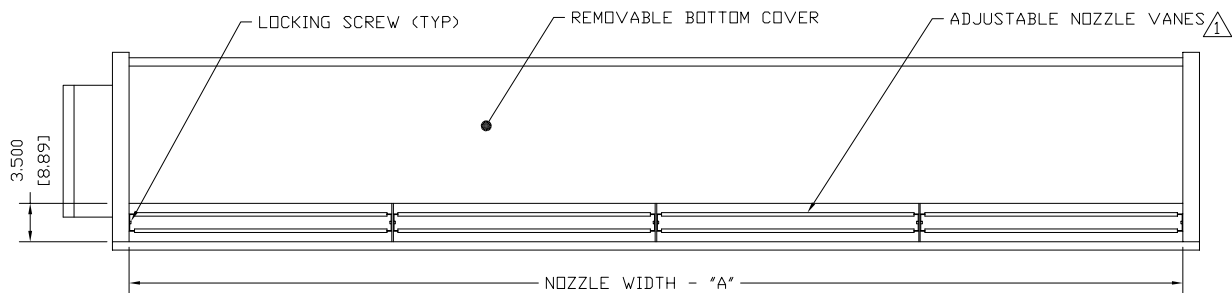
TOP VIEW



FRONT VIEW



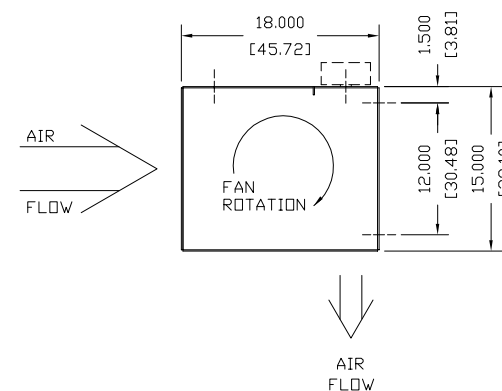
BOTTOM VIEW



MODEL	NOZZLE WIDTH "A"	MOUNTING WIDTH "B"	UNIT WIDTH "C"
IDC12-4156E	156.00 [396.24]	157.50 [400.05]	159.00 [403.86]
IDC12-4168E	168.00 [426.72]	169.50 [430.53]	171.00 [434.34]
IDC12-4180E/5180E	180.00 [457.20]	181.50 [461.01]	183.00 [464.82]
IDC12-4192E/5192E	192.00 [487.68]	193.50 [491.49]	195.00 [495.30]

IDC12 ELECTRIC HEATED

END VIEW

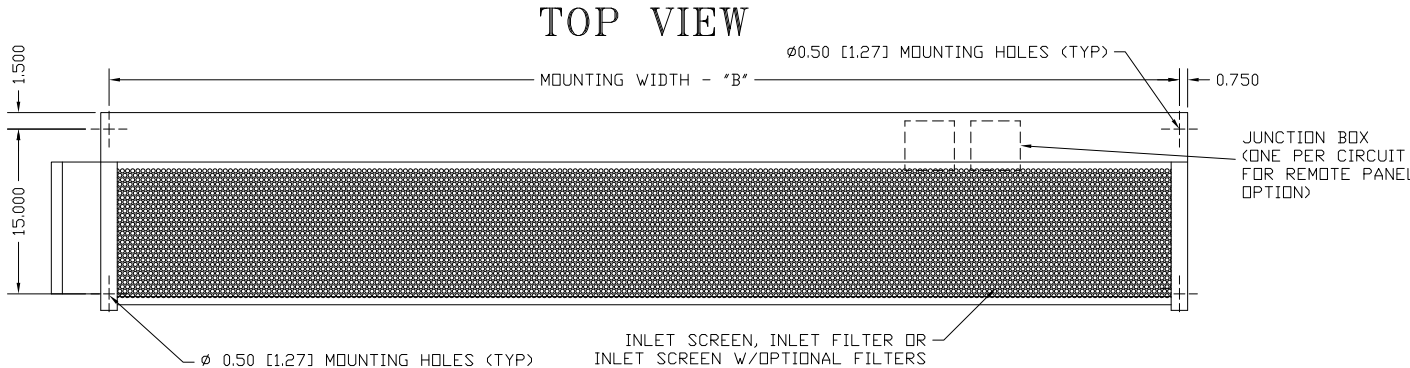


NOTES:

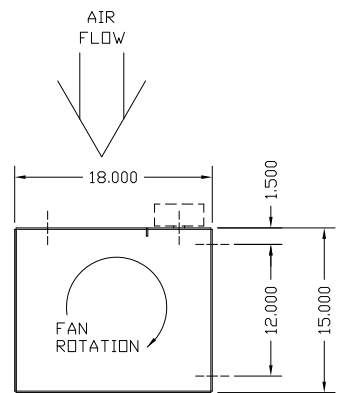
- 1 AIR CURTAIN MUST BE INSTALLED SO AIR STREAM IS NOT OBSTRUCTED WHEN DEFLECTED 20° TO EITHER SIDE OF C.
- 2 ELECTRICAL CONNECTIONS TO BE FLEXIBLE.
- 3 FIELD VERIFY DIMENSIONS.
- 4 ANCHORS TO SUPPORTING STRUCTURE BY OTHERS.
- 5 ADEQUACY OF SUPPORTING STRUCTURE IS TO BE VERIFIED BY A PROFESSIONAL STRUCTURAL ENGINEER.
- 6 LETTER "E" IN MODEL NUMBER DESIGNATES, ELECTRIC HEATED UNIT.
- 7 STANDARD CONTROL PANEL LEFT HAND MOUNT, OPTIONAL RIGHT HAND MOUNT, OR REMOTE. PLEASE SPECIFY.
- 8 DIMENSIONS IN INCHES [CENTIMETERS].

PROJECT		
LOCATION		
ARCHITECT		
ENGINEER		
DWG. NO.	IDC12-ELE2	TITLE: BERNER
DATE	28MAY14	MODEL IDC12 AIR CURTAIN
BY	S. Beil	ELECTRIC HEATED SYSTEM
REPLACES	-	BERNER INTERNATIONAL CORP. NEW CASTLE, PA.
BY	-	

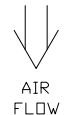
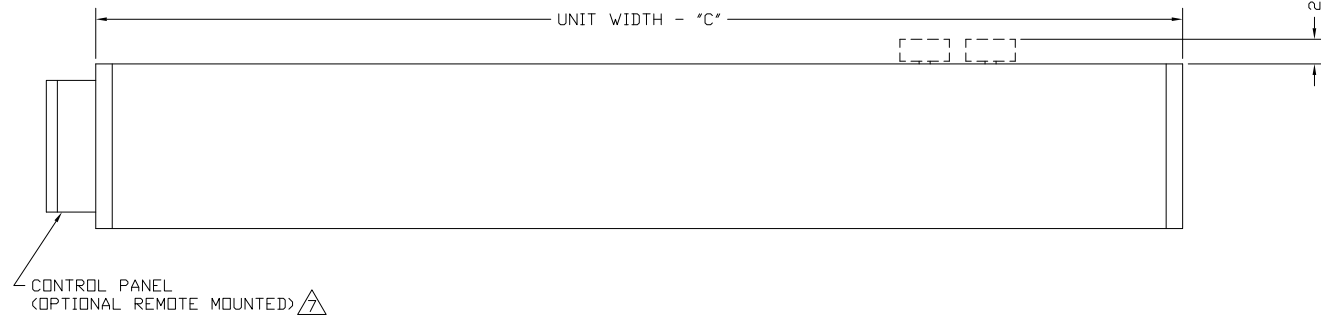
IDC12 ELECTRIC HEATED TOP INTAKE



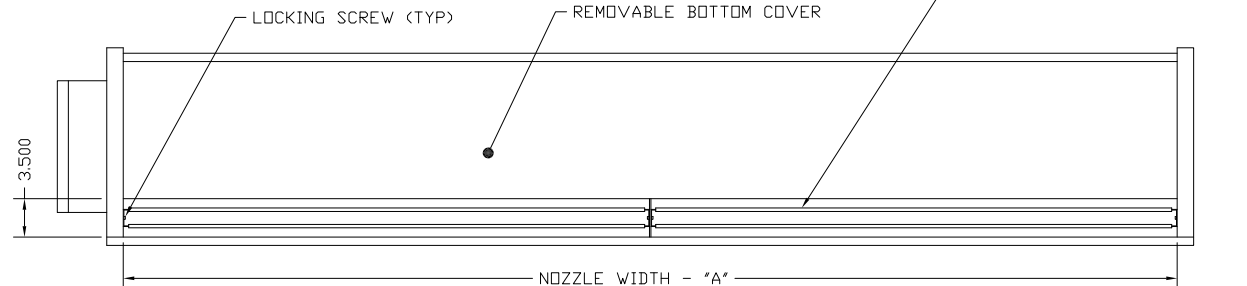
END VIEW



FRONT VIEW



BOTTOM VIEW



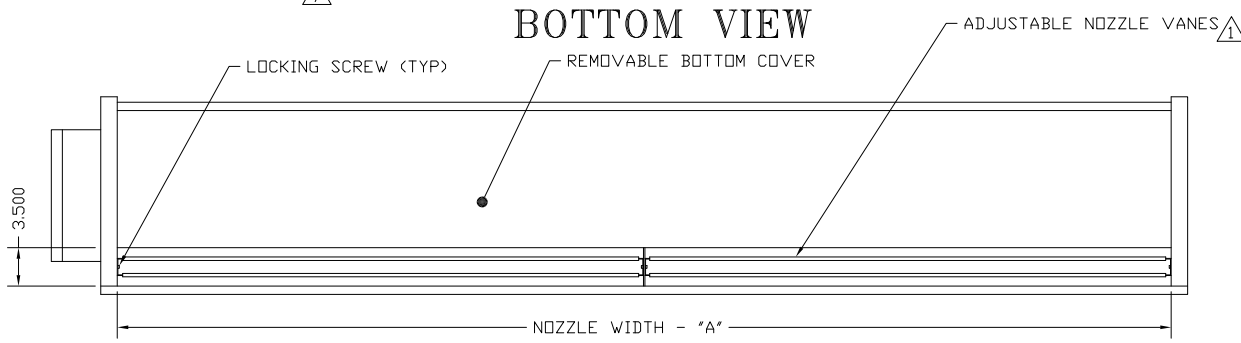
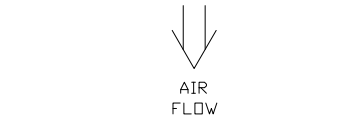
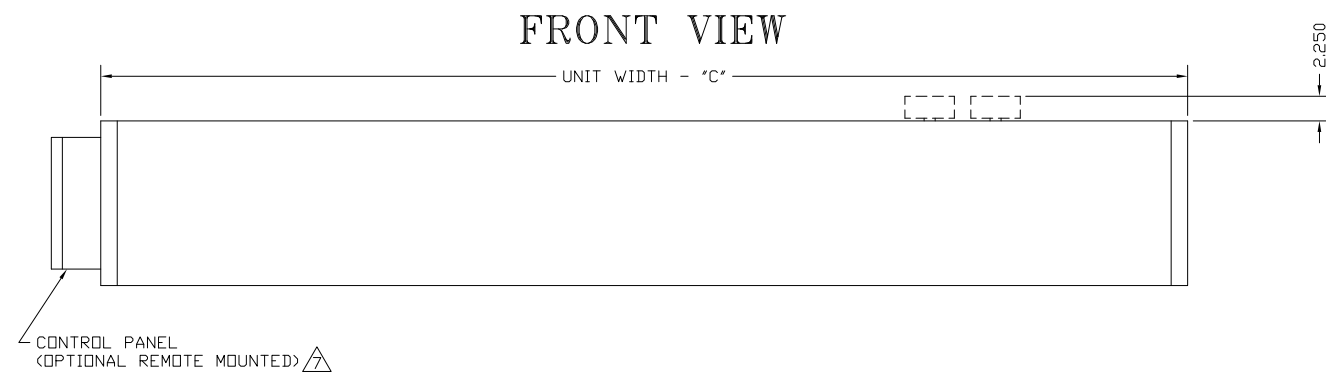
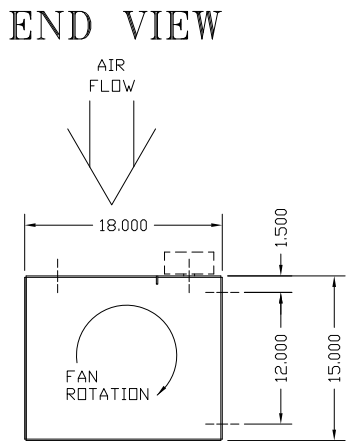
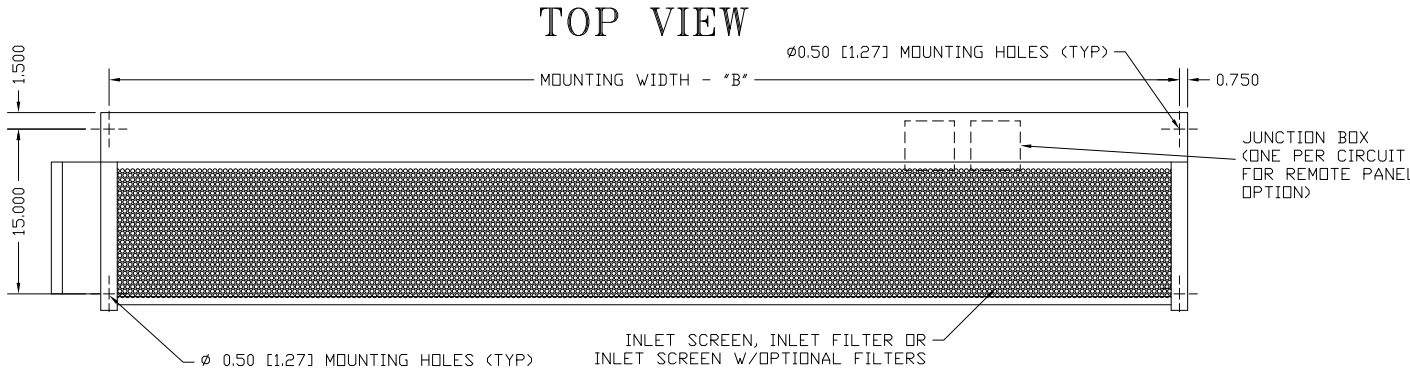
NOTES:

- ⚠ AIR CURTAIN MUST BE INSTALLED SO AIR STREAM IS NOT OBSTRUCTED WHEN DEFLECTED 20° TO EITHER SIDE OF ϕ .
- ⚠ ELECTRICAL CONNECTIONS TO BE FLEXIBLE.
- ⚠ FIELD VERIFY DIMENSIONS.
- ⚠ ANCHORS TO SUPPORTING STRUCTURE BY OTHERS.
- ⚠ ADEQUACY OF SUPPORTING STRUCTURE IS TO BE VERIFIED BY A PROFESSIONAL STRUCTURAL ENGINEER.
- ⚠ LETTER "E" IN MODEL NUMBER DESIGNATES, ELECTRIC HEATED UNIT.
- ⚠ STANDARD CONTROL PANEL LEFT HAND MOUNT, OPTIONAL RIGHT HAND MOUNT, OR REMOTE. PLEASE SPECIFY.
- ⚠ DIMENSIONS IN INCHES [CENTIMETERS].

MODEL ⚠	NOZZLE WIDTH "A"	MOUNTING WIDTH "B"	UNIT WIDTH "C"
IDC12-1036E	36.00 [91.44]	37.50 [95.25]	39.00 [99.06]
IDC12-1042E	42.00 [106.68]	43.50 [110.49]	45.00 [114.30]
IDC12-1048E	48.00 [121.92]	49.50 [125.73]	51.00 [129.54]
IDC12-1060E/2060E	66.00 [167.64]	67.50 [171.45]	69.00 [175.26]
IDC12-2072E	72.00 [182.88]	73.50 [186.69]	75.00 [190.50]
IDC12-2078E	78.00 [192.12]	79.50 [201.93]	81.00 [205.74]
IDC12-2084E	84.00 [213.36]	85.50 [217.17]	87.00 [220.98]
IDC12-2096E/3096E	99.00 [251.46]	100.50 [255.27]	102.00 [259.08]
IDC12-2108E/3108E	108.00 [274.32]	109.50 [278.13]	111.00 [281.94]
IDC12-2120E/3120E	117.00 [297.18]	118.50 [300.99]	120.00 [304.80]
IDC12-3132E	132.00 [335.28]	133.50 [339.09]	135.00 [342.90]
IDC12-3144E/4144E	144.00 [365.76]	145.50 [369.57]	147.00 [373.38]

PROJECT		
LOCATION		
ARCHITECT		
ENGINEER		
DWG. NO.	IDC12-D0049	TITLE: BERNER
DATE	05FEB2015	MODEL IDC12 AIR CURTAIN
BY	S. Beil	TOP INTAKE - ELECTRIC HEATED SYSTEM
REPLACES	02FEB2015	
BY	S. Beil	BERNER INTERNATIONAL CORP. NEW CASTLE, PA.

IDC12 ELECTRIC HEATED TOP INTAKE



NOTES:

- ⚠ AIR CURTAIN MUST BE INSTALLED SO AIR STREAM IS NOT OBSTRUCTED WHEN DEFLECTED 20° TO EITHER SIDE OF ϕ .
- ⚠ ELECTRICAL CONNECTIONS TO BE FLEXIBLE.
- ⚠ FIELD VERIFY DIMENSIONS.
- ⚠ ANCHORS TO SUPPORTING STRUCTURE BY OTHERS.
- ⚠ ADEQUACY OF SUPPORTING STRUCTURE IS TO BE VERIFIED BY A PROFESSIONAL STRUCTURAL ENGINEER.
- ⚠ LETTER "E" IN MODEL NUMBER DESIGNATES, ELECTRIC HEATED UNIT.
- ⚠ STANDARD CONTROL PANEL LEFT HAND MOUNT, OPTIONAL RIGHT HAND MOUNT, OR REMOTE. PLEASE SPECIFY.
- ⚠ DIMENSIONS IN INCHES [CENTIMETERS].

MODEL ⚠	NOZZLE WIDTH "A"	MOUNTING WIDTH "B"	UNIT WIDTH "C"
IDC12-4156E	156.00 [396.24]	157.50 [400.05]	159.00 [403.86]
IDC12-4168E	168.00 [426.72]	169.50 [430.53]	171.00 [434.34]
IDC12-4180E/5180E	180.00 [457.20]	181.50 [461.01]	183.00 [464.82]
IDC12-4192E/5192E	192.00 [487.68]	193.50 [491.49]	195.00 [495.30]

PROJECT		
LOCATION		
ARCHITECT		
ENGINEER		
DWG. NO.	IDC12-ELE4	TITLE: BERNER
DATE	10OCT2017	MODEL IDC12 AIR CURTAIN
BY	S. Bell	TOP INTAKE - ELECTRIC HEATED SYSTEM
REPLACES	-	BERNER INTERNATIONAL CORP. NEW CASTLE, PA.
BY	-	