



INDUSTRIAL DIRECT DRIVE 14

Ambient (Unheated) Air Curtain

Data Sheet

For Mounting Heights To 14' (environmental separation) and 12' (insect control)

STANDARD CONSTRUCTION

- 1 hp single speed motor(s) - direct drive (Optional: two-speed)
- Gray powder coated exterior with mill aluminum screen and access panels (Optional: Custom Color or Stainless)
- Wall & Top Mounting
- Front air intake (Optional: top)
- High efficiency Pro-V Nozzle



Berner International Corporation certifies that the air curtains shown herein are licensed to bear the AMCA Seal. The ratings shown are based on tests and procedures performed in accordance with AMCA Publication 211 and comply with the requirements of the AMCA Certified Ratings Program. Rated data shown is for base (unheated) units. The AMCA Certified Ratings Seal applies to airflow rate, average outlet velocity, outlet velocity uniformity, velocity projection and power rating at free delivery only.

Models IDC14-1060A, IDC14-2108A and IDC14-2120A are not licensed to bear the AMCA seal.

5 Year Limited Warranty



for outdoor use

MODEL	Nozzle Width (in)	Max Vel. at Nozzle (fpm)	Avg. Outlet Vel. (fpm)	Air Volume (cfm)	Outlet Vel. Uniformity	Power Rating (kW)	Motor(s) @ hp	Net Wt. (lbs)
IDC14-1036A	36.00	7,567	2,738	2,396	87%	1.12	1 @ 1	103
IDC14-1042A	42.00	7,040	2,435	2,486	81%	1.12	1 @ 1	109
IDC14-1048A	48.00	7,175	2,173	2,535	84%	1.25	1 @ 1	114
IDC14-1060A	66.00	6,886	1,620	2,598	80%	1.28	1 @ 1	125
IDC14-2060A	66.00	7,520	3,136	4,574	97%	2.07	2 @ 1	175
IDC14-2072A	72.00	7,567	2,738	4,792	87%	2.24	2 @ 1	184
IDC14-2078A	78.00	7,040	2,575	4,882	81%	2.24	2 @ 1	190
IDC14-2084A	84.00	7,040	2,435	4,972	81%	2.24	2 @ 1	195
IDC14-2096A	99.00	7,175	2,173	5,070	84%	2.50	2 @ 1	205
IDC14-3096A	99.00	7,567	2,987	6,970	87%	3.19	3 @ 1	249
IDC14-2108A	108.00	6,886	1,956	5,133	80%	2.53	2 @ 1	248
IDC14-3108A	108.00	7,567	2,738	7,188	87%	3.36	3 @ 1	292
IDC14-2120A	117.00	6,886	1,827	5,197	80%	2.56	2 @ 1	255
IDC14-3120A	117.00	7,040	2,526	7,368	81%	3.36	3 @ 1	299
IDC14-3132A	132.00	7,040	2,340	7,507	81%	3.49	3 @ 1	320
IDC14-3144A	144.00	7,175	2,173	7,605	84%	3.75	3 @ 1	334
IDC14-4144A	144.00	7,567	2,738	9,584	87%	4.48	4 @ 1	378
IDC14-4156A	156.00	7,040	2,575	9,764	81%	4.48	4 @ 1	394
IDC14-4168A	168.00	7,040	2,435	9,944	81%	4.48	4 @ 1	406
IDC14-4180A	180.00	7,040	2,295	10,042	81%	4.74	4 @ 1	419
IDC14-5180A	180.00	7,567	2,738	11,980	87%	5.60	5 @ 1	463
IDC14-4192A	192.00	7,175	2,173	10,140	84%	5.00	4 @ 1	431
IDC14-5192A	192.00	7,175	2,580	12,040	84%	5.69	5 @ 1	475

NOTES:

1. Operation at 50 Hz will generate approximately a 17% reduction in air performance.
2. Consult factory for vertically mounted units.

Berner does not recommend IDC14-1060A, IDC14-2108A and IDC14-2120A, exist only as an equivalent to competitors' models. See sheet EP-410 for amp draws/total load requirements.

MODEL NUMBER CONFIGURATION

IDC14-1 036 A A-F-SS

Series	# of Motors	Opening Width	Heat	Voltage	Intake	Opt. Cabinet Finish
IDC14	1, 2, 3, 4, 5	036" - 192"	A=Ambient	*A=120/1/60 B=208/1/60 J=240/1/60 V=220/1/50 X=208/3/60 Y=240/3/60 Z=480/3/60 Q=600/3/60 O=380/3/50	T=Top F=Front	SS=Stainless Steel CC=Custom Color

VELOCITY PROFILE: Model IDC14-1036A			
Distance from Nozzle (ft)	3	6.5	10
Core Velocity (fpm)	3822	2467	2133

Sound level measured 10' (3m) from the unit in free field:
1, 2, 3, 4 & 5 motor(s): 66 dBA, 69 dBA, 71 dBA, 72 dBA & 73 dBA
Sound data is not AMCA certified.

*Suitable for 50hz

Berner reserves the right to alter specifications without prior notice.

www.berner.com Berner International 800.245.4455
111 Progress Ave. / New Castle / PA / 16101 / USA

DS-410
June, 2016

MODEL	# CKTS	120/1/60 (voltage code A) MOTOR AMP DRAW = 12.6 each		# CKTS	208/1/60 (voltage code B) MOTOR AMP DRAW = 6.5 each		# CKTS	240/1/60 (voltage code J) or 220/1/50 (voltage code V) MOTOR AMP DRAW = 6.5 each		# CKTS	208/3/60 (voltage code X) MOTOR AMP DRAW = 6.5 each	
		AMPS PER CIRCUIT	BREAKER RATING PER CIRCUIT		AMPS PER CIRCUIT	BREAKER RATING PER CIRCUIT		AMPS PER CIRCUIT	BREAKER RATING PER CIRCUIT		AMPS PER CIRCUIT	BREAKER RATING PER CIRCUIT
IDC14-1036A IDC14-1042A IDC14-1048A IDC14-1060A	1	12.6	20	1	6.5	15	1	6.5	15	1	6.5	15
IDC14-2060A IDC14-2072A IDC14-2078A IDC14-2084A IDC14-2096A IDC14-2108A IDC14-2120A	1	25.2	30	1	13.0	20	1	13.0	20	1	13.0	20
IDC14-3096A IDC14-3108A IDC14-3120A IDC14-3132A IDC14-3144A	1	37.8	45	1	19.5	30	1	19.5	30	1	19.5	30
IDC14-4144A IDC14-4156A IDC14-4168A IDC14-4180A IDC14-4192A	1	50.4	60	1	26.0	35	1	26.0	35	1	26.0	35
IDC14-5180A IDC14-5192A	1	63.0	100	1	32.5	45	1	32.5	45	1	32.5	45



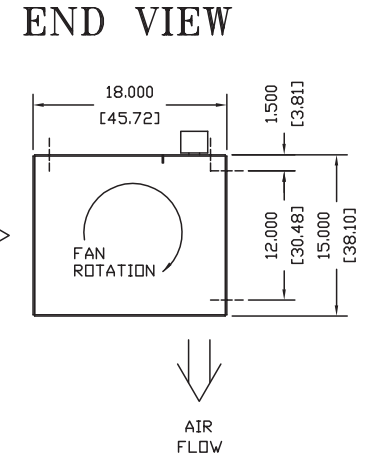
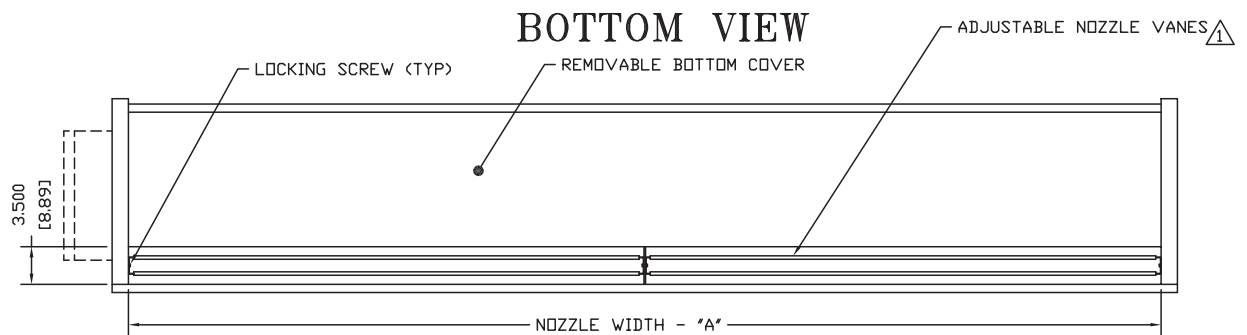
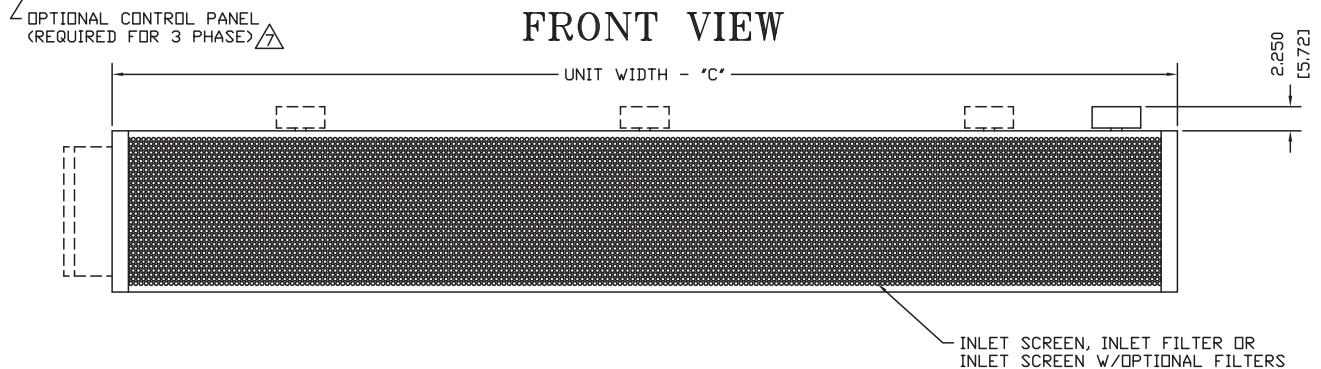
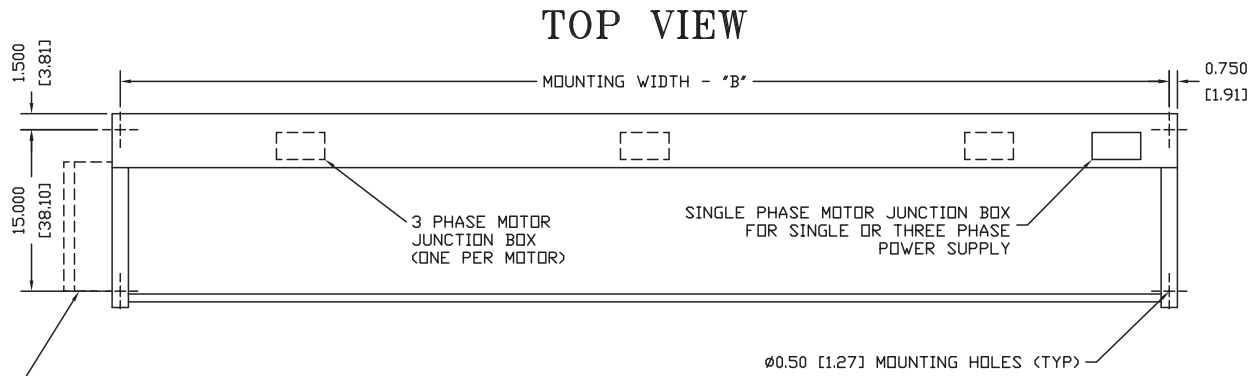
INDUSTRIAL DIRECT DRIVE 14

Ambient (Unheated) Air Curtain

Electrical Performance Sheet

MODEL	240/3/60 (voltage code Y) MOTOR AMP DRAW = 6.5 each			480/3/60 (voltage code Z) MOTOR AMP DRAW = 3.2 each			600/3/60 (voltage code Q) MOTOR AMP DRAW = 2.0 each			380/3/50 (voltage code O) MOTOR AMP DRAW = 6.5 each		
	# CKTS	AMPS PER CIRCUIT	BREAKER RATING PER CIRCUIT	# CKTS	AMPS PER CIRCUIT	BREAKER RATING PER CIRCUIT	# CKTS	AMPS PER CIRCUIT	BREAKER RATING PER CIRCUIT	# CKTS	AMPS PER CIRCUIT	BREAKER RATING PER CIRCUIT
IDC14-1036A IDC14-1042A IDC14-1048A IDC14-1060A	1	6.5	15	1	3.2	15	1	2.0	15	1	6.5	15
IDC14-2060A IDC14-2072A IDC14-2078A IDC14-2084A IDC14-2096A IDC14-2108A IDC14-2120A	1	13.0	20	1	6.4	15	1	4.0	15	1	13.0	20
IDC14-3096A IDC14-3108A IDC14-3120A IDC14-3132A IDC14-3144A	1	19.5	30	1	9.6	15	1	6.0	15	1	19.5	30
IDC14-4144A IDC14-4156A IDC14-4168A IDC14-4180A IDC14-4192A	1	26.0	35	1	12.8	20	1	8.0	15	1	26.0	35
IDC14-5180A IDC14-5192A	1	32.5	45	1	16.0	20	1	10.0	15	1	32.5	45

IDC 14 AMBIENT SYSTEM



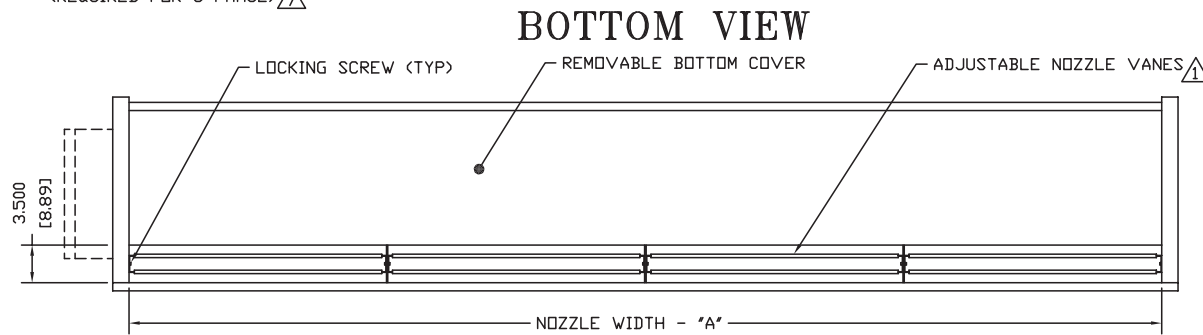
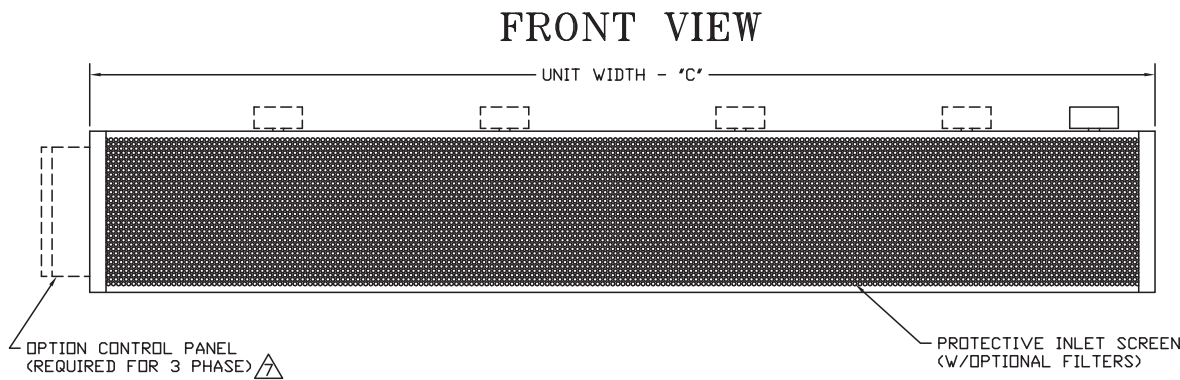
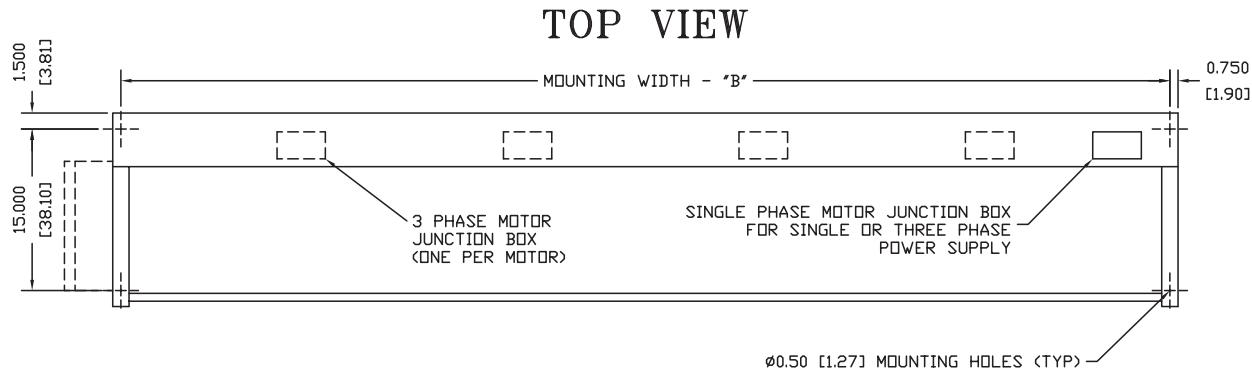
NOTES:

- ⚠️ AIR CURTAIN MUST BE INSTALLED SO AIR STREAM IS NOT OBSTRUCTED WHEN DEFLECTED 20° TO EITHER SIDE OF C.
- ⚠️ ELECTRICAL CONNECTIONS TO BE FLEXIBLE.
- ⚠️ FIELD VERIFY DIMENSIONS.
- ⚠️ ANCHORS TO SUPPORTING STRUCTURE BY OTHERS.
- ⚠️ ADEQUACY OF SUPPORTING STRUCTURE IS TO BE VERIFIED BY A PROFESSIONAL STRUCTURAL ENGINEER.
- ⚠️ LETTER 'A' IN MODEL NUMBER DESIGNATES, AMBIENT UNIT.
- ⚠️ STANDARD CONTROL PANEL LEFT HAND MOUNT, OPTIONAL RIGHT HAND MOUNT, OR REMOTE. PLEASE SPECIFY.
- ⚠️ DIMENSIONS IN INCHES [CENTIMETERS].

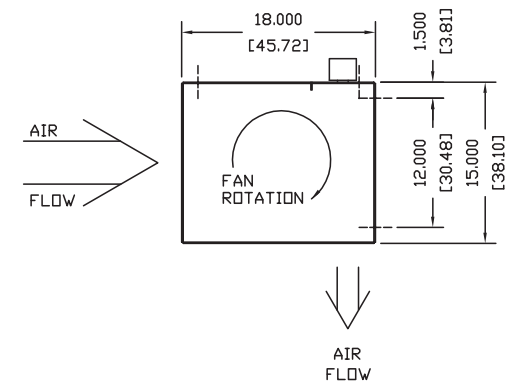
MODEL ⚠️	NOZZLE WIDTH 'A'	MOUNTING WIDTH 'B'	UNIT WIDTH 'C'
IDC14-1036A	36.00 [91.44]	37.50 [95.25]	39.00 [99.06]
IDC14-1042A	42.00 [106.68]	43.50 [110.49]	45.00 [114.30]
IDC14-1048A	48.00 [121.92]	49.50 [125.73]	51.00 [129.54]
IDC14-1060A/2060A	66.00 [167.64]	67.50 [171.45]	69.00 [175.26]
IDC14-2072A	72.00 [182.88]	73.50 [186.69]	75.00 [190.50]
IDC14-2078A	78.00 [192.12]	79.50 [201.93]	81.00 [205.74]
IDC14-2084A	84.00 [213.36]	85.50 [217.17]	87.00 [220.98]
IDC14-2096A/3096A	99.00 [251.46]	100.50 [255.27]	102.00 [259.08]
IDC14-2108A/3108A	108.00 [274.32]	109.50 [278.13]	111.00 [281.94]
IDC14-2120A/3120A	117.00 [297.18]	118.50 [300.99]	120.00 [304.80]
IDC14-3132A	132.00 [335.28]	133.50 [339.09]	135.00 [342.90]
IDC14-3144A/4144A	144.00 [365.76]	145.50 [369.57]	147.00 [373.38]

PROJECT		
LOCATION		
ARCHITECT		
ENGINEER		
DWG. NO.	IDC14-AMB1	TITLE: BERNER
DATE	29MAY14	MODEL IDC14 AIR CURTAIN
BY	S. Beil	AMBIENT SYSTEM
REPLACES	-	
BY	-	BERNER INTERNATIONAL CORP. NEW CASTLE, PA.

IDC 14 AMBIENT SYSTEM



END VIEW



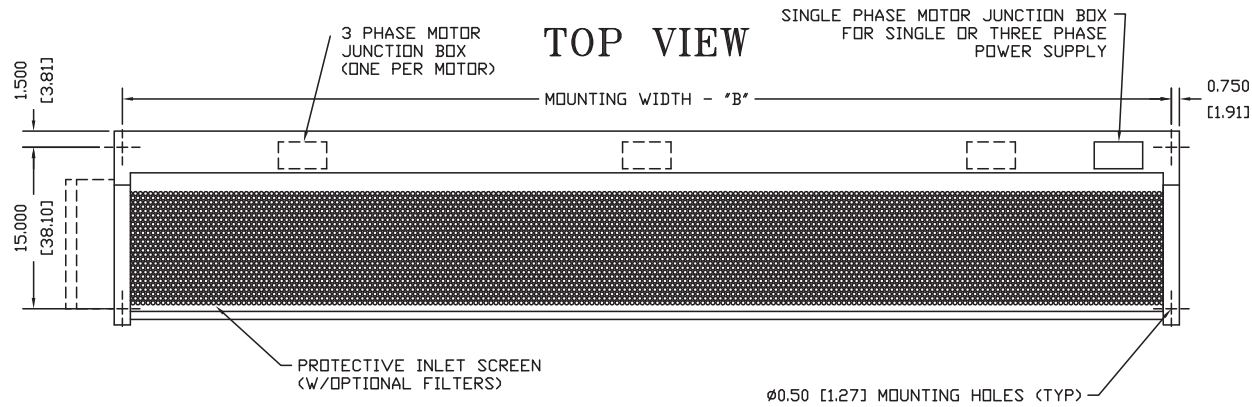
NOTES:

- ① AIR CURTAIN MUST BE INSTALLED SO AIR STREAM IS NOT OBSTRUCTED WHEN DEFLECTED 20° TO EITHER SIDE OF \bar{C} .
- ② ELECTRICAL CONNECTIONS TO BE FLEXIBLE.
- ③ FIELD VERIFY DIMENSIONS.
- ④ ANCHORS TO SUPPORTING STRUCTURE BY OTHERS.
- ⑤ ADEQUACY OF SUPPORTING STRUCTURE IS TO BE VERIFIED BY A PROFESSIONAL STRUCTURAL ENGINEER.
- ⑥ LETTER 'A' IN MODEL NUMBER DESIGNATES, AMBIENT UNIT.
- ⑦ STANDARD CONTROL PANEL LEFT HAND MOUNT, OPTIONAL RIGHT HAND MOUNT, OR REMOTE. PLEASE SPECIFY.
- ⑧ DIMENSIONS IN INCHES [CENTIMETERS].

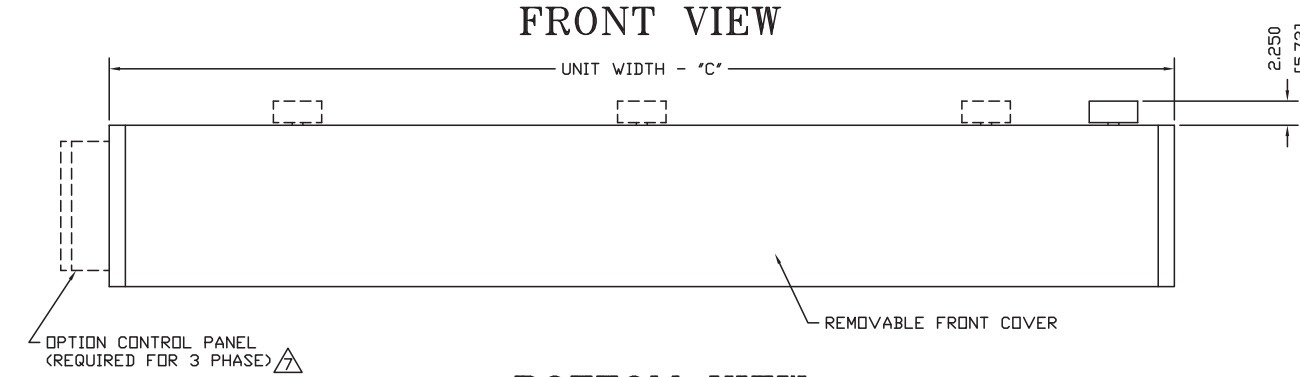
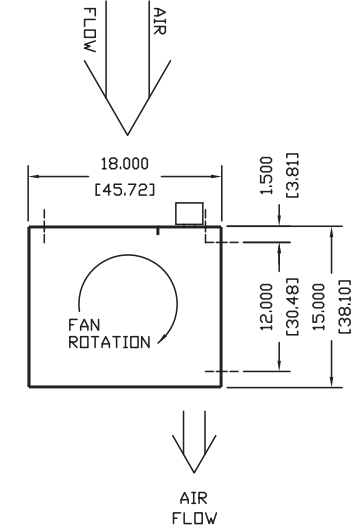
MODEL ⑧	NOZZLE WIDTH "A"	MOUNTING WIDTH "B"	UNIT WIDTH "C"
IDC14-4156A	156.00 [396.24]	157.50 [400.05]	159.00 [403.86]
IDC14-4168A	168.00 [426.72]	169.50 [430.53]	171.00 [434.34]
IDC14-4180A/5180A	180.00 [457.20]	181.50 [461.01]	183.00 [464.82]
IDC14-4192A/5192A	192.00 [487.68]	193.50 [491.49]	195.00 [495.30]

PROJECT		
LOCATION		
ARCHITECT		
ENGINEER		
DWG. NO.	IDC14-AMB2	TITLE: BERNER
DATE	29MAY14	MODEL IDC14 AIR CURTAIN
BY	S. Beil	AMBIENT SYSTEM
REPLACES	-	
BY	-	BERNER INTERNATIONAL CORP. NEW CASTLE, PA.

IDC 14 AMBIENT SYSTEM TOP INTAKE



END VIEW



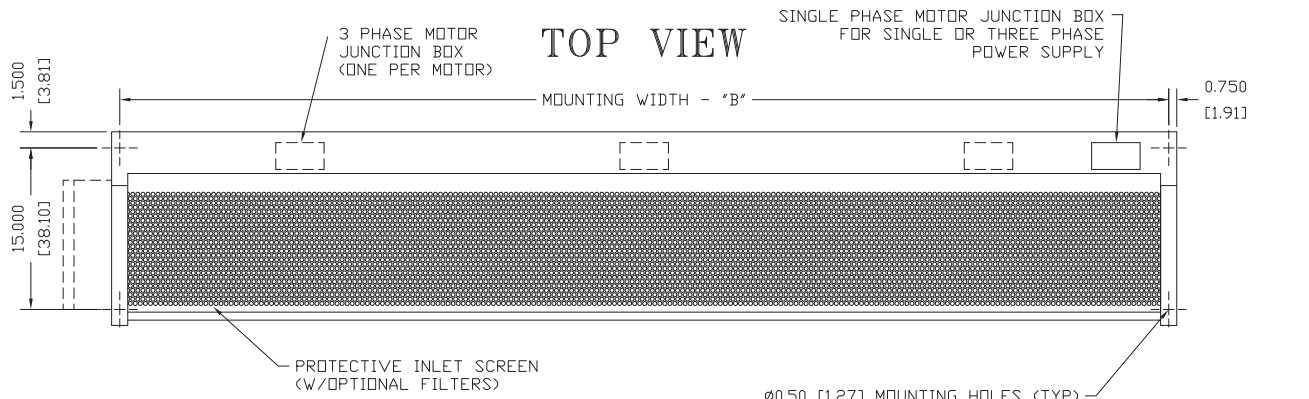
NOTES:

- ⚠ AIR CURTAIN MUST BE INSTALLED SO AIR STREAM IS NOT OBSTRUCTED WHEN DEFLECTED 20° TO EITHER SIDE OF C.
- ⚠ ELECTRICAL CONNECTIONS TO BE FLEXIBLE.
- ⚠ FIELD VERIFY DIMENSIONS.
- ⚠ ANCHORS TO SUPPORTING STRUCTURE BY OTHERS.
- ⚠ ADEQUACY OF SUPPORTING STRUCTURE IS TO BE VERIFIED BY A PROFESSIONAL STRUCTURAL ENGINEER.
- ⚠ LETTER 'A' IN MODEL NUMBER DESIGNATES, AMBIENT UNIT.
- ⚠ STANDARD CONTROL PANEL LEFT HAND MOUNT, OPTIONAL RIGHT HAND MOUNT, OR REMOTE. PLEASE SPECIFY.
- ⚠ DIMENSIONS IN INCHES [CENTIMETERS].

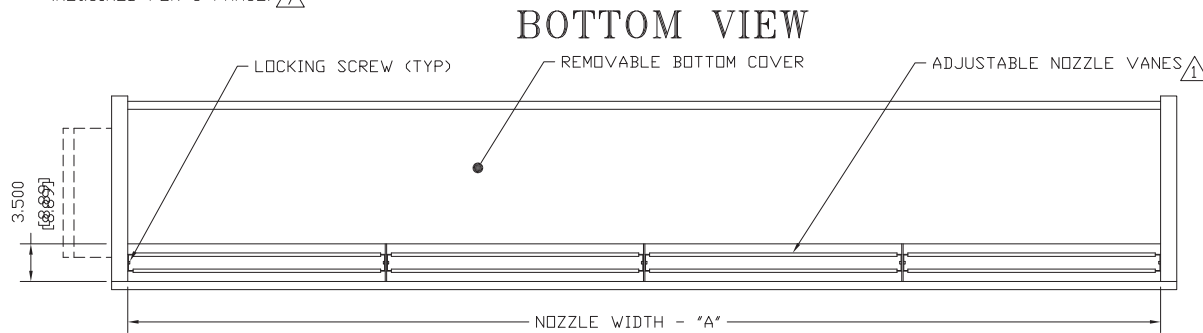
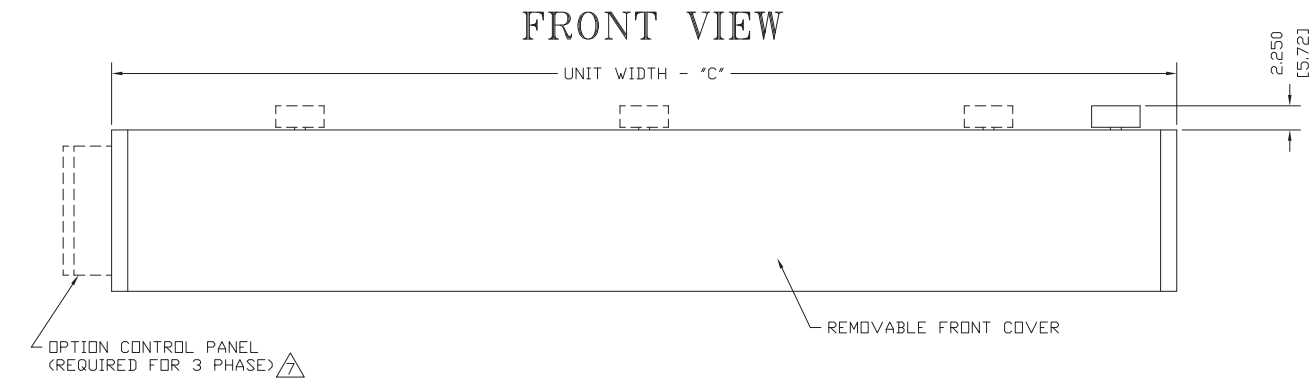
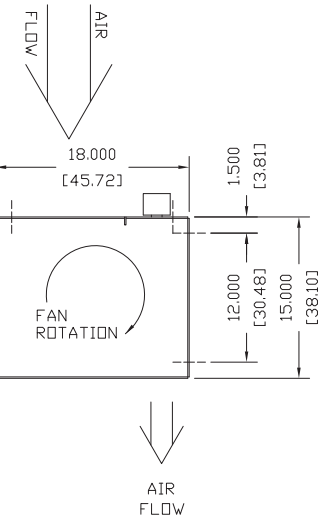
MODEL ⚠	NOZZLE WIDTH 'A'	MOUNTING WIDTH 'B'	UNIT WIDTH 'C'
IDC14-1036A	36.00 [91.44]	37.50 [95.25]	39.00 [99.06]
IDC14-1042A	42.00 [106.68]	43.50 [110.49]	45.00 [114.30]
IDC14-1048A	48.00 [121.92]	49.50 [125.73]	51.00 [129.54]
IDC14-1060A/2060A	66.00 [167.64]	67.50 [171.45]	69.00 [175.26]
IDC14-2072A	72.00 [182.88]	73.50 [186.69]	75.00 [190.50]
IDC14-2078A	78.00 [192.12]	79.50 [201.93]	81.00 [205.74]
IDC14-2084A	84.00 [213.36]	85.50 [217.17]	87.00 [220.98]
IDC14-2096A/3096A	99.00 [251.46]	100.50 [255.27]	102.00 [259.08]
IDC14-2108A/3108A	108.00 [274.32]	109.50 [278.13]	111.00 [281.94]
IDC14-2120A/3120A	117.00 [297.18]	118.50 [300.99]	120.00 [304.80]
IDC14-3132A	132.00 [335.28]	133.50 [339.09]	135.00 [342.90]
IDC14-3144A/4144A	144.00 [365.76]	145.50 [369.57]	147.00 [373.38]

PROJECT		
LOCATION		
ARCHITECT		
ENGINEER		
DWG. NO.	IDC14-AMB3	TITLE: BERNER
DATE	10JULY2015	MODEL IDC14 AIR CURTAIN AMBIENT SYSTEM
BY	S. Bell	
REPLACES	-	
BY	-	BERNER INTERNATIONAL CORP. NEW CASTLE, PA.

IDC14 AMBIENT SYSTEM TOP INTAKE



END VIEW



NOTES:

- ① AIR CURTAIN MUST BE INSTALLED SO AIR STREAM IS NOT OBSTRUCTED WHEN DEFLECTED 20° TO EITHER SIDE OF Δ .
- ② ELECTRICAL CONNECTIONS TO BE FLEXIBLE.
- ③ FIELD VERIFY DIMENSIONS.
- ④ ANCHORS TO SUPPORTING STRUCTURE BY OTHERS.
- ⑤ ADEQUACY OF SUPPORTING STRUCTURE IS TO BE VERIFIED BY A PROFESSIONAL STRUCTURAL ENGINEER.
- ⑥ LETTER "A" IN MODEL NUMBER DESIGNATES, AMBIENT UNIT.
- ⑦ STANDARD CONTROL PANEL LEFT HAND MOUNT, OPTIONAL RIGHT HAND MOUNT, OR REMOTE. PLEASE SPECIFY.
- ⑧ DIMENSIONS IN INCHES [CENTIMETERS].

MODEL Δ	NOZZLE WIDTH "A"	MOUNTING WIDTH "B"	UNIT WIDTH "C"
IDC14-4156A	156.00 [396.24]	157.50 [400.05]	159.00 [403.86]
IDC14-4168A	168.00 [426.72]	169.50 [430.53]	171.00 [434.34]
IDC14-4180A/5180A	180.00 [457.20]	181.50 [461.01]	183.00 [464.82]
IDC14-4192A/5192A	192.00 [487.68]	193.50 [491.49]	195.00 [495.30]

PROJECT		
LOCATION		
ARCHITECT		
ENGINEER		
DWG. NO.	IDC14-AMB4	TITLE: BERNER
DATE	10JULY2015	MODEL IDC14 AIR CURTAIN AMBIENT SYSTEM
BY	S. Beil	
REPLACES	-	
BY	-	BERNER INTERNATIONAL CORP. NEW CASTLE, PA.