

# INSTALLATION AND MAINTENANCE



## LPWCT-1-TP Field-Installed Thermostat Kit



For Models:  
 LPW1227C-W  
 LPW2040C-W  
 LPW2445C-W  
 LPW2740C-W

DANGER

**ELECTRIC SHOCK OR FIRE HAZARD**

READ ALL WIRE SIZING, VOLTAGE REQUIREMENTS AND SAFETY DATA TO AVOID PROPERTY DAMAGE AND PERSONAL INJURY

Figure 1-1



WARNING

**READ CAREFULLY** - Use the heater only as described in this manual. Any other use is not recommended and could result in fire, electric shock, and personal injury. Following these instructions will prevent difficulties that might occur during the installation and use of the heater. Please study the instructions first, as they may save considerable time and trouble during use addition to providing important safety information. Make sure to save these instructions for future use.

- WARNING 1.** Power must come to heater first.
- WARNING 2.** Read all instructions before wiring or using this heater.
- WARNING 3.** This heater is hot when in use. To avoid burns, do not let bare skin touch hot surfaces. Keep combustible materials, such as furniture, pillows, bedding, papers, clothes, boxes, etc., and curtains must be at least 3 feet away from the front and sides of heater.
- WARNING 4.** Extreme caution is necessary when any heater is used by or near children or invalids and whenever the heater is left operating and unattended.
- WARNING 5.** Do not operate any heater after it malfunctions. Disconnect power at service panel and have heater inspected by a qualified electrician for repair before reusing.
- WARNING 6.** Do not use outdoors.
- WARNING 7.** To disconnect heater, turn controls to OFF, and turn OFF power from main service panel.
- WARNING 8.** Do not insert or allow foreign objects to enter any ventilation or exhaust opening as this may cause an electric shock, fire, or damage to the heater.
- WARNING 9.** To prevent the possibility of fire, do not block air intakes or exhaust in any manner.
- WARNING 10.** A heater has hot and arching or sparking parts inside. Do not use it in areas where gasoline, paint, or any other flammable vapors or liquids are stored.
- WARNING 11.** Use this heater only as described in the manual. Any other use is not recommended by the manufacturer and may cause fire, electric shock, an explosion, injury or death to people and or property.
- WARNING 12.** This heater includes **SMART LIMIT PROTECTION** that shuts down heater in the event of excessive over heating. To reset heater turn OFF power wait 15 minutes for limit to reset & turn power back ON.

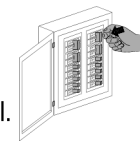
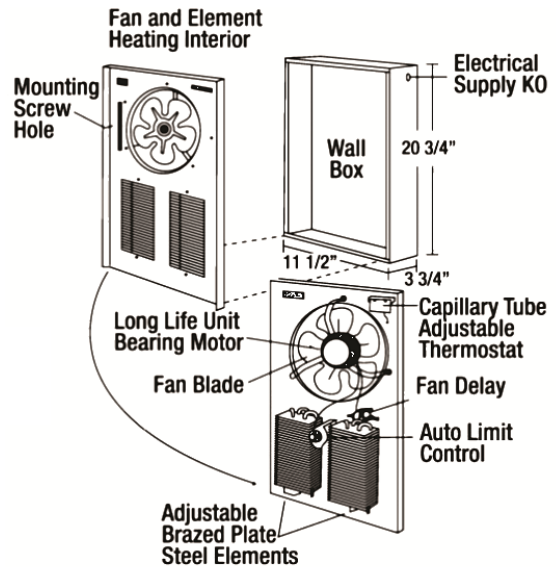


Figure 1-2

# LPWCT-1-TP INSTALLATION INSTRUCTIONS

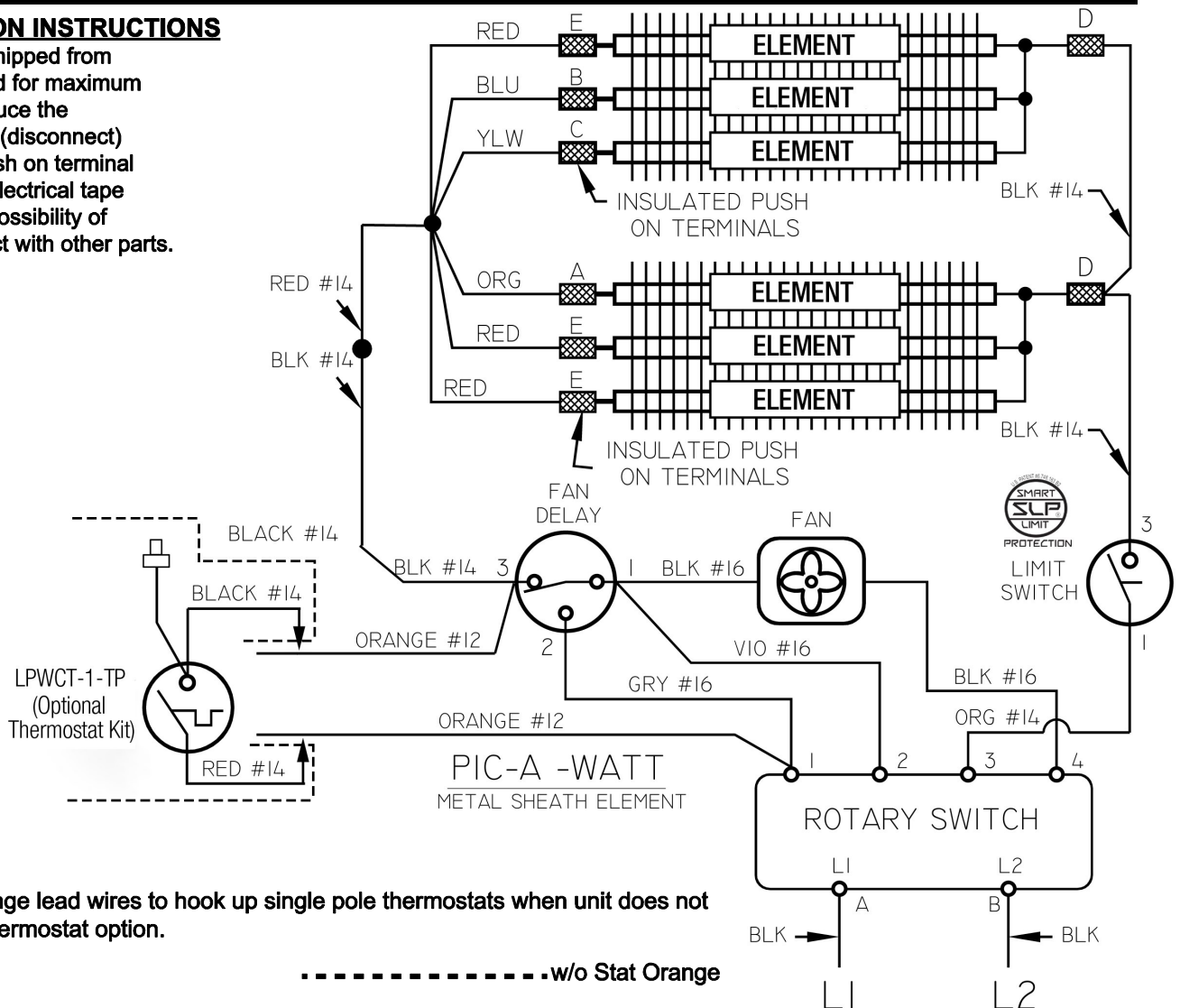
1. Connect Black wire to one of the Orange wires.
2. Connect Red wire to the other Orange wire.
3. Insert Thermostat bulb through hole in the interior and secure to front of the interior with the bulb clamp and screw that is provided.
4. **Do Not Kink** capillary tube as this will change the calibration of the thermostat or cause damage.
5. Coil excess capillary tube and wire out of the way and clip onto the edge of the fan outlet using the 2 clips provided.



## Wiring Diagram

### INSTALLATION INSTRUCTIONS

This heater is shipped from the factory wired for maximum wattage. To reduce the wattage unplug (disconnect) an insulated push on terminal and wrap with electrical tape to prevent the possibility of electrical contact with other parts.



Note: Use orange lead wires to hook up single pole thermostats when unit does not have built in thermostat option.

.....w/o Stat Orange