

**INSTALLATION AND OPERATION INSTRUCTIONS**  
**4300P,4300PW,4300PB ADAPTER PLATES**  
**21 1/2" X 12 1/4"**

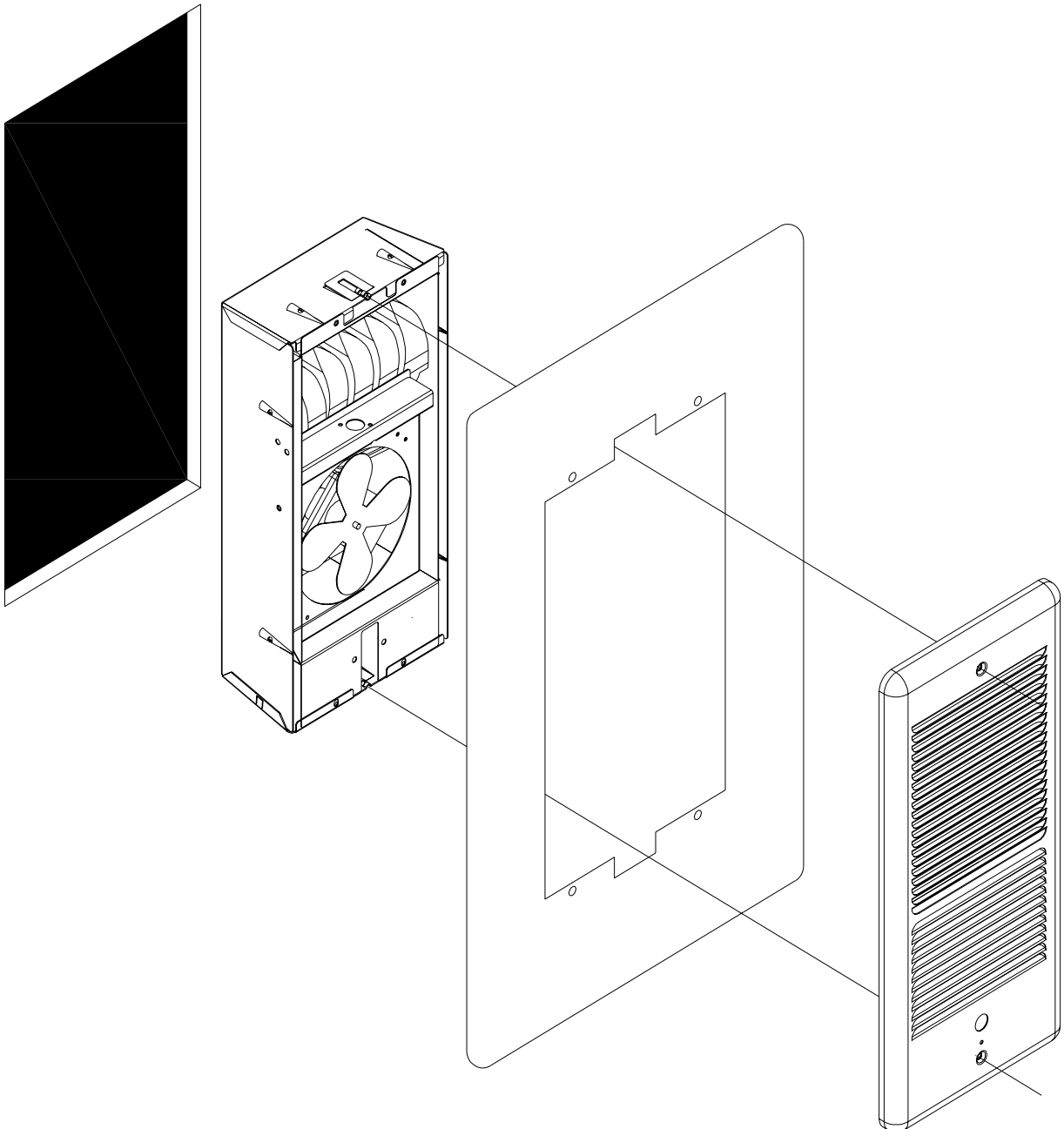
**INSTALLATION**  
**INSTRUCTIONS**



TPI Corporation  
P.O. Box 4973  
Johnson City, TN  
37602-4973

*America's Comfort Conditioning Company*

- 1) Install heater as directed in the heater Installation and Operation Instructions. The heater and wall box must be flush with the wall surface in order for the adapter plate to be flush with the wall.
- 2) Secure the adapter plate to the wall box with the screws provided.
- 3) Install the grille.



FORM 8978 7/05