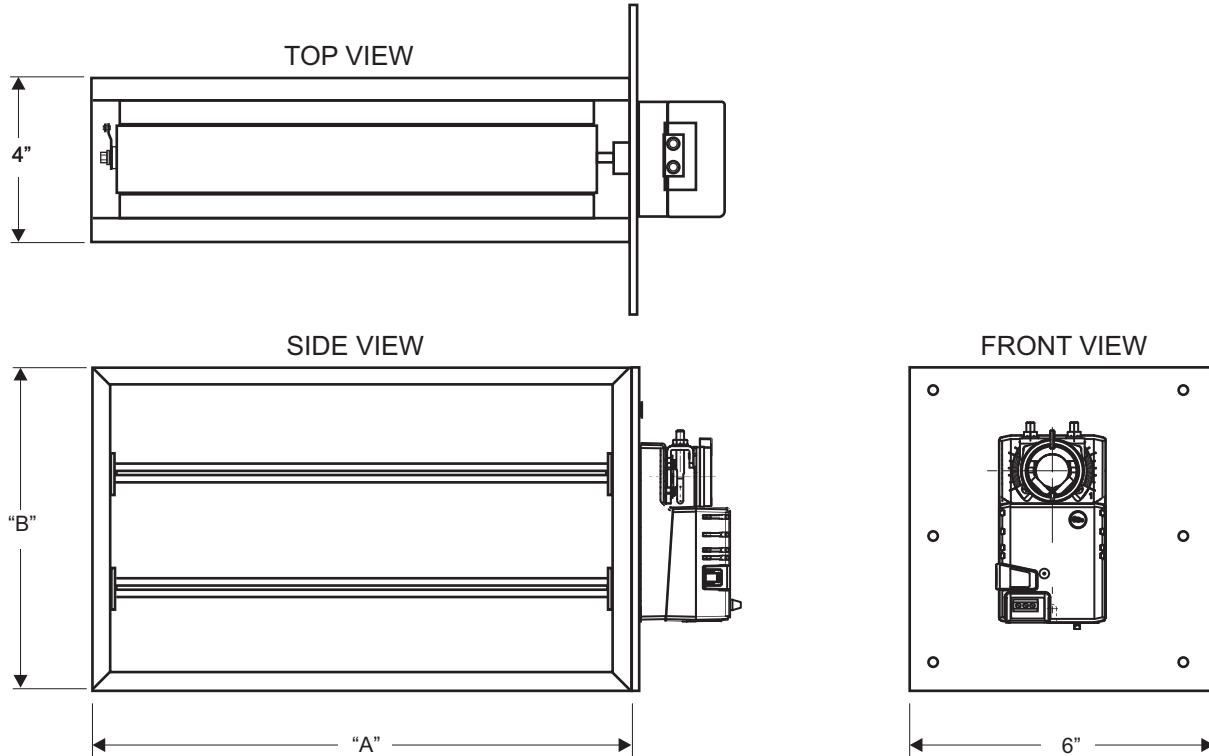


SPECIFICATION SHEET

CD-XXXX Rectangular, 3-wire Floating Point Motorized Zone Control Dampers

For Carrier® and Bryant® Infinity™ and Evolution™ zoning systems



SPECIFICATIONS

DIMENSIONS:

Damper models CD-XXXX are sized width (A) by height (B) with actuator on the (B) dimension.
 Bottom mount models CD-XXXX-BM are sized width (A) by height (B) with actuator on the (A) dimension.
 Actual (A) and (B) dimensions are undercut 1/4".
 Standard sizes range from 8" x 8" up to 36" x 24" in 2" increments.

APPLICATION:

Compatible for Carrier® and Bryant® Infinity™ and Evolution™ zone control systems.

CONSTRUCTION:

- 1/16" extruded aluminum frame
- 1/16" extruded aluminum parallel blades
- 1/16" aluminum mounting flange
- Nylon bushings
- Minimum position adjustment

ELECTRICAL:

- 24Volt, 2.1 VA
- 3-Wire
- 15 second timing
- 18 lb.-in.

Drawings are intended to show general, overall product dimensions and provide guidance for installation clearance. Drawings are not to scale.
 iO HVAC Controls reserves the right to make product changes without notification or obligation.