



## Young Regulator Co.

7100 Krick Rd • Walton Hills, OH 44146

P: 440-232-9700 • F: 440-232-8266

[www.youngregulator.com](http://www.youngregulator.com)

Submit T-720 – 5-13

## Model T-720X

*Digital Display Zone Damper Thermostat  
Proportional and Integral Control*

## Application and Design

The Young Regulator T-720 Proportional and Integral thermostat is specifically designed for zoning applications. Typical applications include pressure dependent VAV floating control with or without local reheat. The product features a backlit LCD display with dedicated function menu keys for simple operation. Accurate temperature control is achieved due to the product's PI proportional control algorithm, which virtually eliminates temperature offset associated with traditional, differential-based thermostats. When used with the optional S-720 sensor, the T-720 Thermostat has an integrated changeover function which will allow seamless switching between cooling and heating mode based upon supply air temperature.

The T-720 will control the following Young Regulator dampers:

- 4075 Round with Honeywell or Belimo floating point motors\*
- 3085 Rectangular with Honeywell or Belimo floating point motors\*
- 3045 Rectangular (medium duty damper) with Honeywell or Belimo floating point motor\*
- 9011E VAV Diffusers with Honeywell or Belimo floating point Motors\*

\* these motors have 90 second timing

Also, The T-720 will control any damper with modulating motor with timing from 30 seconds to 9 minutes, consult the factory.



**Model T-720A** programmed at the factory for automatic changeover (S-720 required)

**Model T-720B** programmed at the factory for cooling only.

FEATURES	
P+I - Proportional/Integral algorithm	Auto Changeover function when used with optional S-720 Sensor
2 line, 16 character LCD display	EEPROM memory in the event of a power failure
SPST Auxiliary Switch for reheat or lighting	3 add'l inputs for monitoring and / or various advance functions
Consult the factory to control 2 position motors	Keypad Lockout

OPTIONS	
S-720 Supply Air Temperature Sensor for automatic changeover between heat and cool mode	BACnet, LonMark, Echelon, Zigbee Wireless network adapter
Remote Sensing	Optional model for 0-10Vdc Analog Control
IR Occupancy Sensor	
SPECIFICATIONS	
Thermostat power requirements	19-30 Vac 50 or 60 Hz; 2 VA Class 2
Operating conditions	0 °C to 50 °C ( 32 °F to 122 °F )
Temperature sensor	10 K NTC thermistor
Room air temperature display range	-40 °F to 122 °F
Wire gauge	18 gauge maximum, 22 gauge recommended
Agency Approvals all models	UL, CSA and FCC



# Young Regulator Co.

7100 Krick Rd • Walton Hills, OH 44146

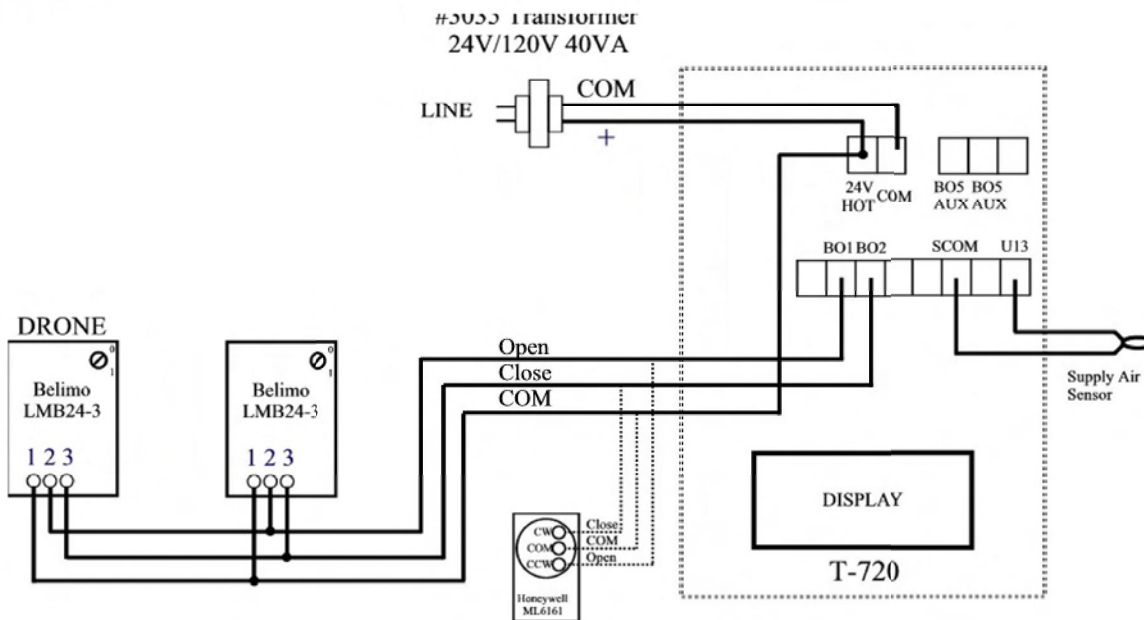
P: 440-232-9700 • F: 440-232-8266

www.youngregulator.com

Submit T-720 – 5-13

## Model T-720X

Digital Display Zone Damper Thermostat  
Proportional and Integral Control



T720A with supply air sensor for automatic changeover  
T720B for cooling only, omit the supply air sensor  
Master and drone actuators must be same model

