



## Young Regulator Co.

7100 Krick Rd • Walton Hills, OH 44146

P: 440-232-9700 • F: 440-232-8266

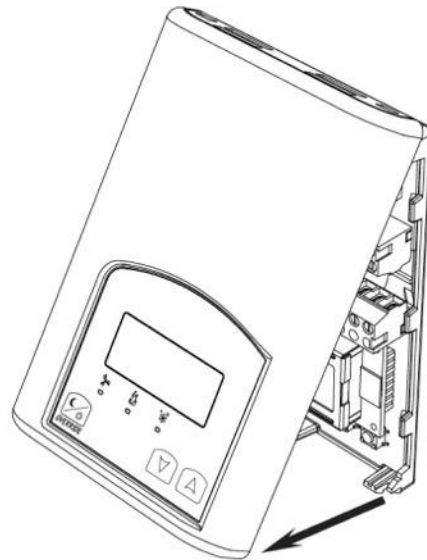
[www.youngregulator.com](http://www.youngregulator.com)

# T-720 Installation Manual

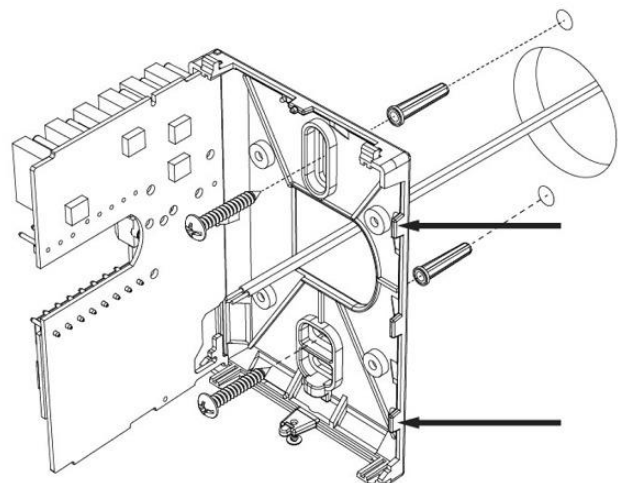
T-720A: PROGRAMMED AT THE FACTORY FOR AUTO CHANGEOVER

T-720B: PROGRAMMED AT THE FACTORY FOR COOLING ONLY

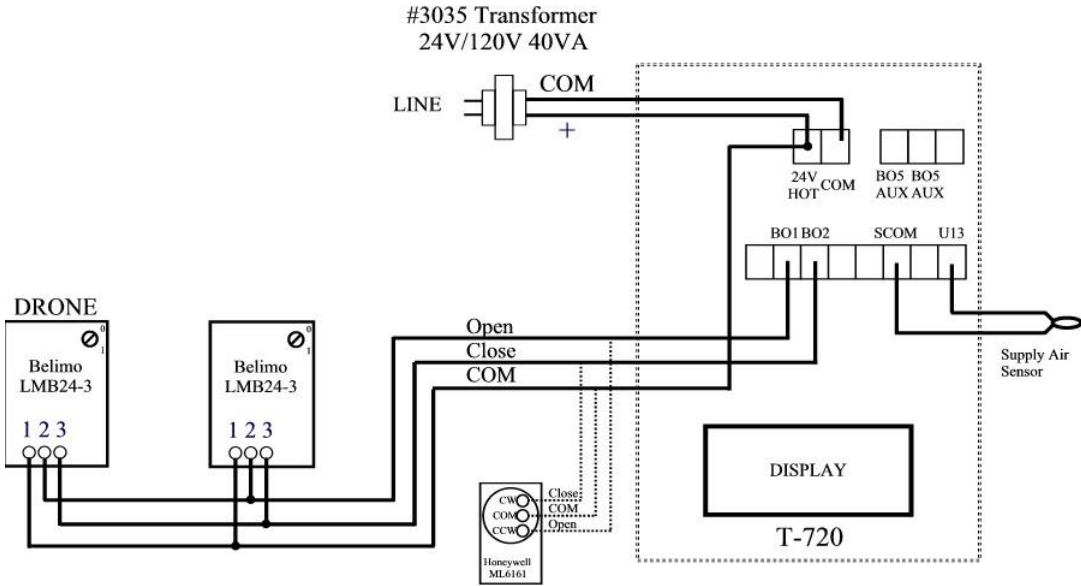
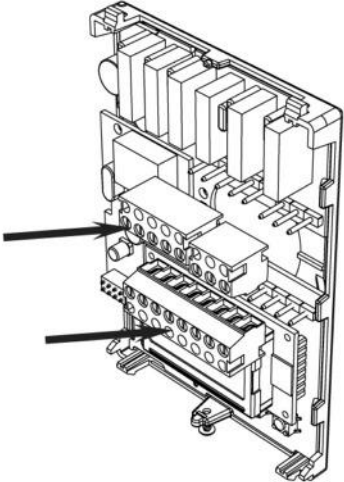
- Open the thermostat by pulling on the bottom side of the front cover



- Swing open the internal PCB to the left by pressing the PCB locking tabs
- Pull out cables 6" from the wall
- Insert cable in the central hole of the base
- Align base and mark the location of the two mounting holes paying particular attention to orienting the proper side of the base up
- Install anchors in the wall and insert screws in mounting holes on each side of the base
- Gently swing the circuit board back into the base until the tabs lock it in place



- Strip each wire 1/4 inch from end
- Insert each wire per enclosed wiring schematic
- Terminal strips are removable for ease of assembly
- Gently push excess wiring into the hole
- Reinstall terminal strips in their correct location
- Reinstall the front cover (top side first) and install security screw
- The T720A Sensor is supplied with a grommet for installation in a 9/32" diameter hole.



T720A with supply air sensor for automatic changeover  
 T720B for cooling only, omit the supply air sensor  
 Master and drone actuators must be same model

