



DRAW COLLAR™

by Stock Squared

Installation Guide, Questions & Troubleshooting

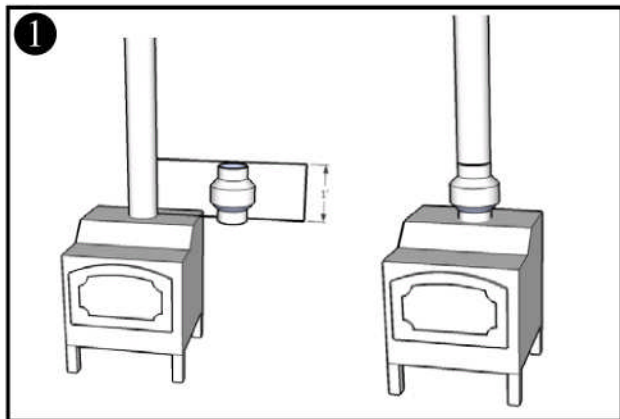
Congratulations! Your days of smoke-filled rooms because your wood-burning stove or fireplace doesn't draw smoke up the chimney are gone. Just follow these simple instructions to install the DRAW COLLAR. Plug it in; and within minutes, your flue will be hot and drawing smoke up the chimney, not into your room.

BE SURE TO READ ALL INSTRUCTIONS AND WARNINGS BEFORE USING THE DRAW COLLAR. SAVE THESE INSTRUCTIONS.

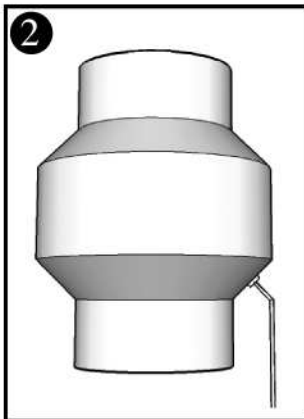
The Draw Collar will emit some smoke the first time it exceeds 200 degrees. This is called a "burn off" and will only last for an hour or so. Open a window and let the room air out.

WARNINGS!

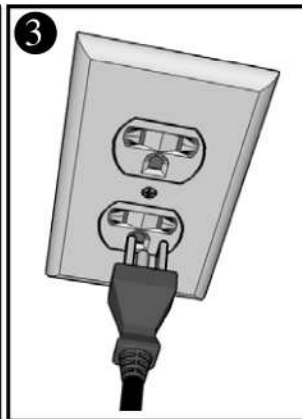
- ! Do not overfire your stove.
- ! Do not use outside.
- ! Do not lay the cord on top of the stove or run under carpet.
- ! Only approved for use on free-standing stoves.
- ! Extreme caution is necessary when any heater is used by, or near children and invalids, especially whenever the unit is left operating, or unattended.
- ! Do not operate any unit with a damaged cord or plug, or if the heater has malfunctioned.
- ! Do not use in areas where gasoline, paint, or other flammable liquids are used or stored, or where the unit will be exposed to flammable vapors.
- ! Do not modify the DRAW COLLAR. Use it only as described in this manual. Any other use not recommended by the manufacturer may cause fire, electric shock or injury to persons. Any modification to the DRAW COLLAR will void the warranty.



Simply replace a twelve-inch section of stove pipe with the DRAW COLLAR. Sometimes this will require cutting a twelve-inch section out of the existing flue.



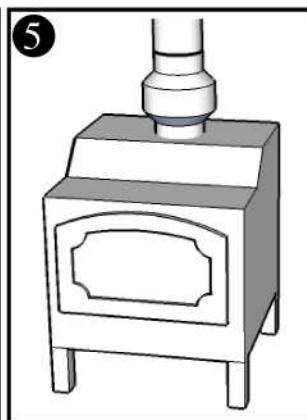
Be sure the cord coming from the DRAW COLLAR is coming out of the lower section and from the back of the unit.



Plug into a grounded three-pronged outlet. The DRAW COLLAR runs at 120V, 500 Watts.



If a longer cord is required, be sure it is rated at 1875 watts, 16 AWG. You may also purchase a longer length at www.DRAW COLLAR.com.



The DRAW COLLAR works best if the stove door is shut while creating draw.



Have the chimney inspected by a certified chimney sweep every year.

Feel free to contact us with any questions or concerns.

Stock Squared LLC
 Phone 801-254-1730
 Toll free 1-877-696-7495
 Fax 801-302-7132
customerservice@stockssquared.com



Questions & Troubleshooting

Not heating	Check connections and make sure they re tight.
Smoking and giving off an odor	First use will produce burn off. Should fade after an hour or so. After initial burn-off, should be no more smoke or odor.
Stove vents off back. Will Draw Collar work in horizontal position?	Yes. Draw Collar does work in horizontal position.
Does Draw Collar work in extreme weather conditions?	Yes. It will reverse flow of cold air even in high winds and extreme cold.
How often should my flue be cleaned, and does Draw Collar require special care?	See your stove manufacturer s recommendations for cleaning (most are 1-2 times per year). The Draw Collar can be cleaned with a standard chimney brush.
How much power does Draw Collar use?	Roughly 4.1 amps (about 500 Watts). This amounts to 2-3 cents per hour to run on average.
No outlet near stove, can I use extension cord with Draw Collar?	Yes. Must be rated 1875 watt, 16 AWG.