

Project: _____

Tag: _____

Engineer: _____

Contractor: _____

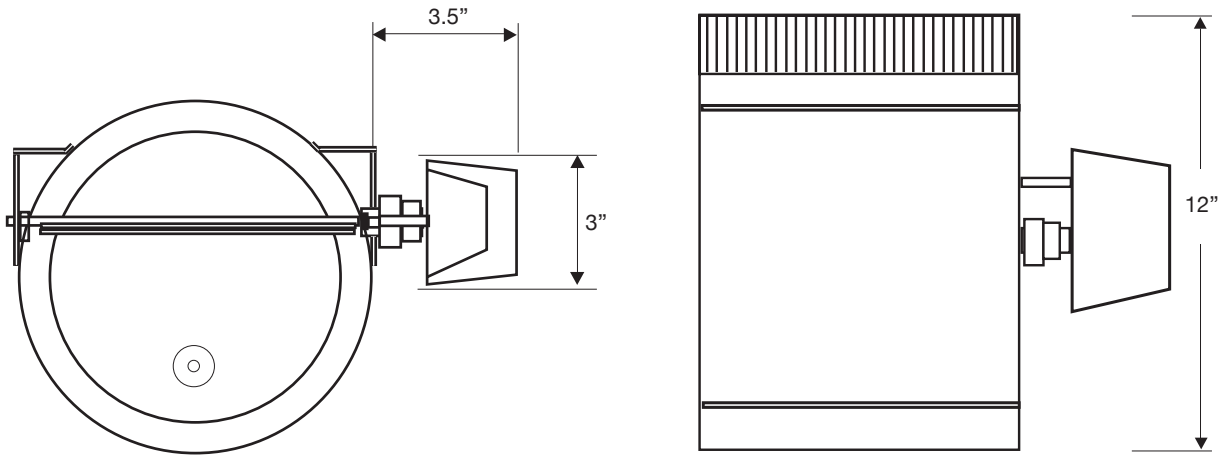
Date: _____

COMBINATION ZONE RELIEF DAMPER

MODEL: CZRD ROUND

Combination Zone Relief Round Damper

3-Wire, 2-Position Motorized and Barometric Round Zone Damper



Dimensions and Applications:

- CZRD Models are available in Standard Sizes of 6" - 18"
- Compatible with mostly residential HVAC applications, or any HVAC applications with static pressure less than 1.0" WC

Standard Construction:

- 24 Gauge Smooth Steel
- 5/16" Aluminum shaft
- Nylon bushings for quiet operation
- Minimum position adjustment

Electrical and Power:

- Powered by a Power Close/Power Open motor
- 24 Volt, 2 VA, 90 Second Timing
- 2-Wire, 2-Position, Floating Point