



VK...P

PRODUCT SPECIFICATIONS

TECHNICAL DATA

INLINE CENTRIFUGAL FAN

Please see performance table for Energy Star Rated Models



DESCRIPTION

The VENTS VK...P centrifugal inline fans are series of duct mounted centrifugal inline fans is designed to deliver exceptional airflow performances even in high static pressure systems. The VENTS VK...P fans have been specifically designed for simple installation and many years of maintenance-free operation.

The VENTS VK...P series fans have built-in speed controller for smooth impeller rotation speed. The built-in speed controller allows you to create controlled ventilation based on your needs and reduce Audible Noise, Power consumption and increase Lifetime fans.

Five year warranty.

CASING

The fan's casing is made of high quality UV-resistant plastic (UL94 certified plastic).

MOTOR

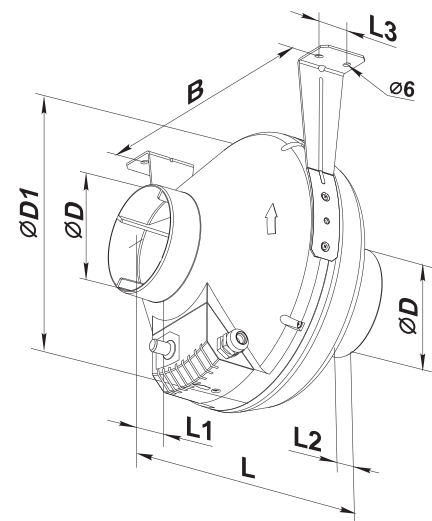
The fan is fitted with backward curved centrifugal impeller driven by powerful sealed external rotor motor with lifelong bearings and thermal protection.

SUITABLE FOR:

Fans are suitable for a wide range of residential and commercial exhaust or supply air applications as well as for the horticulture and hydroponics markets.

DIMENSIONS

Model	Measurements [in.]							lbs
	ØD	ØD1	B	L	L1	L2	L3	
VK 100 P	3 15/16"	9 13/16"	10 5/8"	9 1/16"	1 3/16"	1 1/16"	1 3/16"	4.7
VK 125 P	4 15/16"	9 13/16"	10 5/8"	8 11/16"	1 3/16"	1 1/16"	1 3/16"	4.9
VK 150 P	5 7/8"	11 13/16"	12 3/16"	11 1/4"	1 3/16"	1 3/16"	1 3/16"	5.7
VK 200 P	7 7/8"	13 3/8"	13 15/16"	10 7/8"	1 3/16"	1 3/16"	1 9/16"	8.8
VK 250 P	9 13/16"	13 3/8"	13 15/16"	10 7/16"	1 3/16"	1 3/16"	1 9/16"	9.9
VK 315 P	12 3/8"	15 3/4"	16 5/16"	16 5/16"	1 9/16"	2 3/16"	1 9/16"	11.2



Tel: 888-640-0925
513-348-3853
Fax: 513-268-4597

Sales@ventsus.com
VentsUS.com
11013 Kenwood Road, Cincinnati,
Ohio 45242



2015/03



Please see performance table for Energy Star Rated Models



VK...P

INLINE CENTRIFUGAL FAN

PRODUCT SPECIFICATIONS

TECHNICAL DATA

PERFORMANCE

Model	Energy Star certified	Duct dia	Sones	RPM*	Watts*	CFM vs. Static Pressure (Ps) in WG										Volt / Hz
						0"	0.125"	0.2"	0.25"	0.375"	0.5"	0.75"	1.0"	1.25"	1.5"	
VK 100 P		4"	8.5	3088	106	162	155	150	147	141	134	120	104	87	67	120 / 60
VK 125 P		5"	7.1	2960	114	235	222	214	207	193	178	151	123	99	72	120 / 60
VK 150 P		6"	7.2	2907	113	317	300	289	282	265	247	212	178	132	68	120 / 60
VK 200 P	✓	8"	8.1	3016	140	507	481	465	455	423	395	343	287	238	189	120 / 60
VK 250 P		10"	10.2	2604	293	735	699	675	658	625	558	507	432	369	307	120 / 60
VK 315 P	✓	12 3/8"	11.5	2641	269	871	817	779	758	703	635	501	393	324	266	120 / 60

* The parameters RPM, Watts are indicated at 0.2 in. WG static pressure.

MODEL	QUANTITY	COMMENTS	PROJECT
			location:
			architect:
			engineer:
			contractor:
			submitted by:

Tel: 888-640-0925
513-348-3853
Fax: 513-268-4597

Sales@ventsus.com
VentsUS.com
11013 Kenwood Road, Cincinnati,
Ohio 45242



2015/03