



COMMERCIAL LOW PROFILE 8

Ambient (Unheated) Air Curtain

Data Sheet

For Door Heights To 8' (environmental separation) and 7' (insect control)

STANDARD CONSTRUCTION

- 8 1/2" high x 13 1/2" deep
- 1/5 hp two speed motor(s)
- Factory installed fan speed switch
- White powder coated exterior (Optional: Custom Color or Stainless)
- Wall & Top Mounting
- Optional: Filter (washable)

5 Year
Limited
Warranty



MODEL	Nozzle Width (in)	Max Vel. at Nozzle (fpm)	Avg. Outlet Vel. (fpm)	Air Volume (cfm)	Outlet Vel. Uniformity	Power Rating (kW)	Motor(s) @ hp	Net Wt. (lbs)
CLC08-1030A	27.50	3,071	1,478	670	89%	0.32	1 @ 1/5	36
CLC08-1036A	34.62	3,567	1,760	1,005	92%	0.32	1 @ 1/5	41
CLC08-1042A	40.62	3,388	1,755	1,176	93%	0.32	1 @ 1/5	45
CLC08-1048A	46.62	3,226	1,742	1,340	94%	0.32	1 @ 1/5	48
CLC08-1060A	58.13	2,940	1,702	1,632	95%	0.32	1 @ 1/5	56
CLC08-1072A	71.37	2,870	1,707	2,010	95%	0.32	1 @ 1/5	64
CLC08-2084A	83.50	3,388	1,707	2,351	93%	0.64	2 @ 1/5	90
CLC08-2096A	95.50	3,226	1,701	2,679	94%	0.64	2 @ 1/5	98
CLC08-2108A	107.00	3,226	1,684	2,971	94%	0.64	2 @ 1/5	105
CLC08-2120A	118.50	2,940	1,670	3,263	95%	0.64	2 @ 1/5	113

NOTE:

1. Operation at 50 Hz will generate approximately a 17% reduction in performance
2. Consult factory for vertically mounted units.

See sheet EP-100 for amp draws/total load requirements.

MODEL NUMBER CONFIGURATION

CLC08-1 030 A A-R-SS

Series	# of Motors	Opening Width	Heat	Voltage	Opt. Switch	Opt. Cabinet Finish
CLC08	1, 2	030" - 120"	A=Ambient	*A=120/1/60 B=208/1/60 J=240/1/60 Z=480/3/60 Q=600/3/60 V=220/1/50	Remote Switch	SS=Stainless Steel CC=Custom Color

*Suitable for 50hz

VELOCITY PROFILE: Model CLC08-1036A			
Distance from Nozzle (ft)	2	3	4
Core Velocity (fpm)	1806	1494	1279

Sound level measured 10' (3m) from the unit in free field:
 1 motor: Low/High Speed: 53/54 dBA
 2 motors: Low/High Speed: 56/57 dBA

Berner reserves the right to alter specifications without prior notice.



COMMERCIAL LOW PROFILE 8

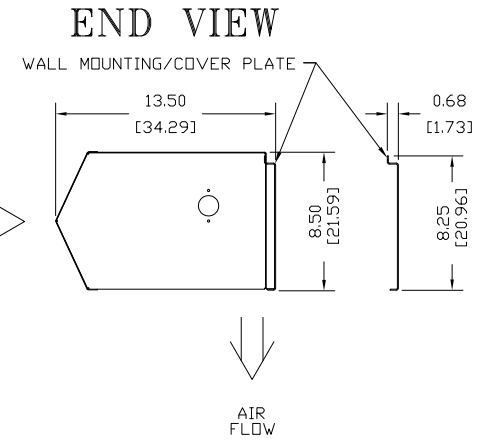
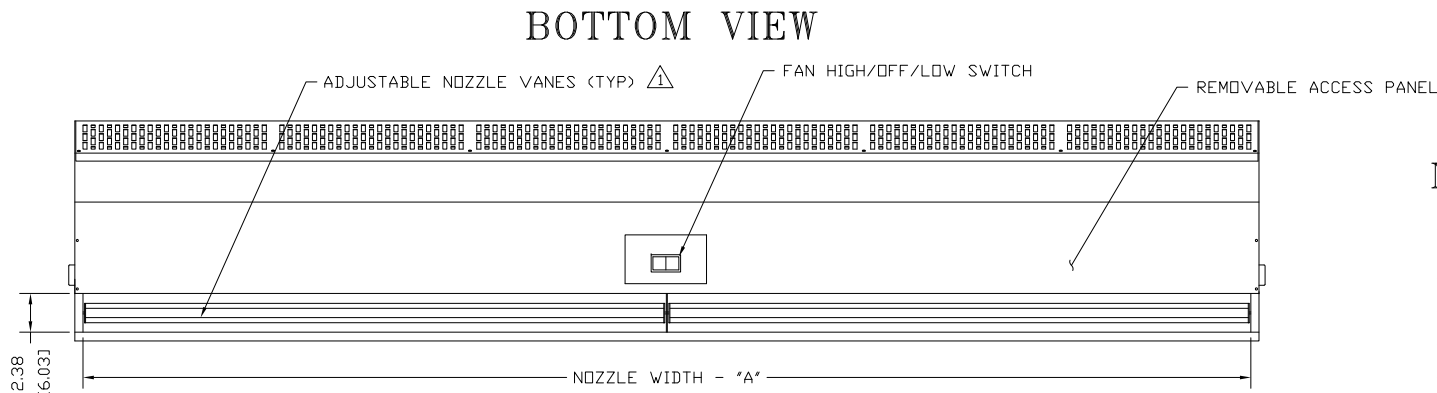
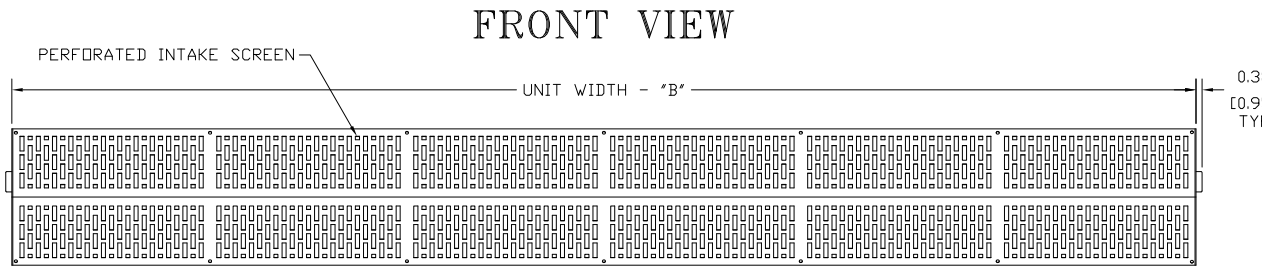
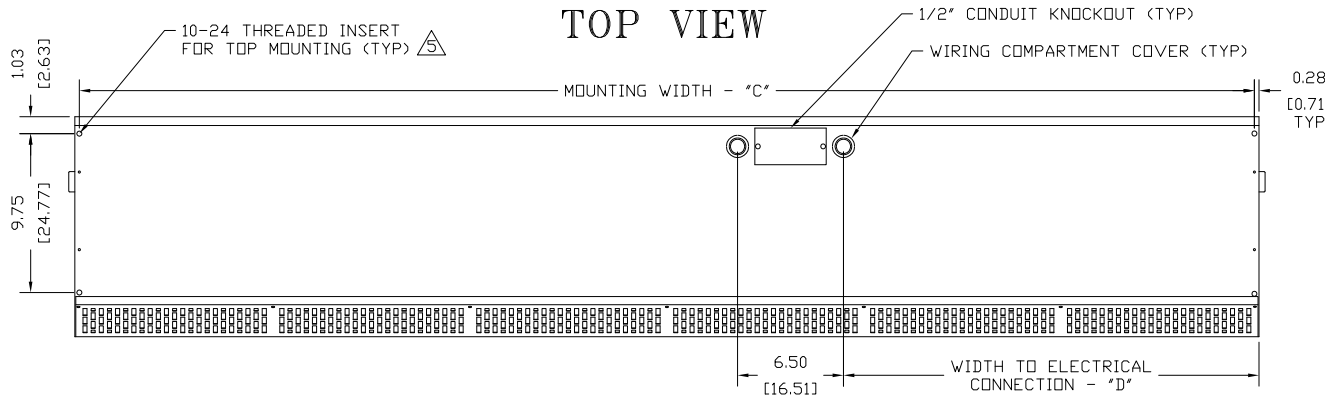
Ambient (Unheated) Air Curtain
Electrical Performance Sheet

MODEL	# CKTS	120/1/60 (voltage code A) MOTOR AMP DRAW = 3.4 each		# CKTS	208/1/60 (voltage code B) or 220/1/50 (voltage code V) MOTOR AMP DRAW = 1.7 each		# CKTS	240/1/60 (voltage code J) MOTOR AMP DRAW = 1.7 each	
		AMPS PER CIRCUIT	BREAKER RATING PER CIRCUIT		AMPS PER CIRCUIT	BREAKER RATING PER CIRCUIT		AMPS PER CIRCUIT	BREAKER RATING PER CIRCUIT
CLC08-1030A CLC08-1036A CLC08-1042A CLC08-1048A CLC08-1060A CLC08-1072A	1	3.4	15	1	1.7	15	1	1.7	15
CLC08-2084A CLC08-2096A CLC08-2108A CLC08-2120A	1	6.8	15	1	3.4	15	1	3.4	15

MODEL	# CKTS	480/3/60 (voltage code Z) MOTOR AMP DRAW = 0.9 each		# CKTS	600/3/60 (voltage code Q) MOTOR AMP DRAW = 0.6 each	
		AMPS PER CIRCUIT	BREAKER RATING PER CIRCUIT		AMPS PER CIRCUIT	BREAKER RATING PER CIRCUIT
CLC08-1030A CLC08-1036A CLC08-1042A CLC08-1048A CLC08-1060A CLC08-1072A	1	0.9	15	1	0.6	15
CLC08-2084A CLC08-2096A CLC08-2108A CLC08-2120A	1	1.8	15	1	1.2	15

Berner reserves the right to alter specifications without prior notice.

CLC08 AMBIENT SYSTEM



- NOTES:**
- ① AIR CURTAIN MUST BE INSTALLED SO AIR STREAM IS NOT OBSTRUCTED WHEN DEFLECTED 20° TO EITHER SIDE OF \bar{C} .
 - ② ELECTRICAL CONNECTIONS TO BE FLEXIBLE.
 - ③ FIELD VERIFY DIMENSIONS.
 - ④ ANCHORS TO SUPPORTING STRUCTURE BY OTHERS.
 - ⑤ ADEQUACY OF SUPPORTING STRUCTURE IS TO BE VERIFIED BY A PROFESSIONAL STRUCTURAL ENGINEER.
 - ⑥ LETTER 'A' IN MODEL NUMBER DESIGNATES AMBIENT UNIT.
 - ⑦ DIMENSIONS IN INCHES [CENTIMETERS].

MODEL ⑥	NOZZLE WIDTH 'A'	UNIT WIDTH 'B'	MOUNTING WIDTH 'C'	ELECTRIC WIDTH 'D'
CLC08-1030A	27.44 [69.69]	28.88 [73.35]	28.32 [71.93]	13.13 [33.34]
CLC08-1036A	34.62 [87.95]	36.06 [91.60]	35.50 [90.17]	7.13 [18.10]
CLC08-1042A	40.62 [103.17]	42.06 [106.83]	41.50 [105.41]	13.13 [33.34]
CLC08-1048A	46.62 [118.41]	48.06 [122.07]	47.50 [120.65]	13.13 [33.34]
CLC08-1060A	58.13 [147.65]	59.55 [151.26]	59.00 [149.86]	18.88 [47.94]
CLC08-1072A	71.37 [181.28]	72.81 [184.94]	72.25 [183.52]	25.50 [64.80]
CLC08-2084A	83.50 [212.09]	84.94 [215.74]	84.38 [214.31]	13.13 [33.34]
CLC08-2096A	95.50 [242.57]	96.94 [246.23]	96.38 [244.79]	13.13 [33.34]
CLC08-2108A	107.00 [271.78]	108.44 [275.44]	107.88 [274.00]	18.88 [47.94]
CLC08-2120A	118.50 [300.99]	119.94 [304.65]	119.38 [303.21]	18.88 [47.94]

PROJECT		
LOCATION		
ARCHITECT		
ENGINEER		REV. -
DWG. NO.	CLC08-AMB	TITLE: BERNER
DATE	14OCT14	MODEL CLC08 AIR CURTAIN
BY	D.Johnson	AMBIENT SYSTEM
REPLACES	-	BERNER INTERNATIONAL CORP. NEW CASTLE, PA.
BY	-	