

Warranty

MEDIA AIR CLEANER LIMITED LIFETIME WARRANTY

This limited warranty covers TRION residential type media air cleaners, excluding door latch, disposable media cartridge, charcoal filter, accessories, ductwork, and installation. TRION warrants that all new TRION media residential air cleaners are free from defects in material and workmanship under normal, noncommercial use and service. TRION will remedy any such defects if they appear after installation from an Authorized TRION Dealer, subject to terms and conditions of this Limited Lifetime Warranty stated below:

1. THIS LIMITED LIFETIME WARRANTY IS GRANTED BY TRION, 101 MCNEILL ROAD, SANFORD, NC 27330.
2. This warranty shall extend only to any noncommercial owner who has purchased the residential media air cleaner other than for purposes of resale.
3. All components are covered by this limited warranty except expendable items such as charcoal filters and filter cartridges.
4. If within the warranty period, any TRION residential media air cleaner unit or component requires service, it must be performed by a competent heating and/or air conditioning contractor.
5. In order to obtain the benefits of this limited lifetime warranty, the owner must notify the dealer or distributor in writing or by phone, of any defect within 30 days of its discovery. If after reasonable time you have not received an adequate response from the dealer or distributor, notify in writing, by phone, or email: TRION, 101 McNeill Road, Sanford, NC 27330 / 1-800-884-0002 / customerservice@trioniaq.com.
6. This limited warranty does not apply to any part or component that is damaged in transit or when handling, has been subject to misuse, neglect or accident, has not been installed, operated and serviced according to TRION's instruction, has been operated beyond the factory rated capacity, or altered in any such way that its performance is affected. There is no warranty due to neglect, alteration, or ordinary wear and tear. TRION's liability is limited to the replacement of defective parts or components and does not include the payment of labor charges to remove or replace such defective parts.
7. TRION WILL NOT BE RESPONSIBLE FOR LOSS OF USE OF ANY PRODUCT, LOSS OF TIME, INCONVENIENCE, OR ANY OTHER INDIRECT, INCIDENTAL OR CONSEQUENTIAL DAMAGES WITH RESPECT TO PERSON OR PROPERTY, WHETHER AS A RESULT OF BREACH OF WARRANTY, NEGLIGENCE OR OTHERWISE. SOME STATES DO NOT ALLOW THE EXCLUSION OR LIMITATION OF INCIDENTAL OR CONSEQUENTIAL DAMAGES, SO THE LIMITATION OR EXCLUSION IN THE PRECEDING SENTENCE MAY NOT APPLY TO YOU.
8. THIS WARRANTY GIVES YOU SPECIFIC RIGHTS, AND YOU MAY ALSO HAVE OTHER RIGHTS WHICH VARY FROM STATE TO STATE.
9. TRION reserves the right to make changes in the design and material of its products without incurring any obligation to incorporate such changes in units manufactured before the effective date of such a change.



TRION®

101 McNeill Rd. | Sanford, NC 27330

P: 800.884.0002 | F: 800.458.2379 | www.trioniaq.com | customerservice@trioniaq.com

TRION®

Indoor Air Quality



Air Bear® Right Angle Media Air Cleaner

Installation • Operation • Maintenance

Caution

Read Installation, Operation, and Maintenance
Instructions Carefully for Safe Operation

Table of Contents	Page
Introduction	1
Specifications	2
Installation	3
Maintenance	5
Warranty	6

Maintenance

The filter cartridge in the air cleaner must be replaced periodically. The frequency of filter replacement is best determined by visual examination. On average, **MERV 11 filter cartridges should be replaced every 4-6 months of normal usage.**

Steps for Replacing Filter Cartridge

1. Open access door by lifting the handle and pulling the bottom of the door toward you. Remove door completely.
2. Tilt used filter cartridge to allow filter to be removed from cabinet. Pull used filter cartridge from cabinet.
3. Discard dirty filter cartridge in plastic bag in which replacement filter was received.
4. Slide new filter cartridge into cabinet with "AIR FLOW" arrow pointing in the direction of air flow. Care shall be exercised to place filter cartridge in angle holders on bottom and side of cabinet.
5. Replace access door.

Note: Your installing dealer can supply media air cleaner replacement filter cartridges. Remember, periodic inspection and replacement of your filter will ensure high efficiency air cleaning with the frequency of filter replacement best determined by visual inspection.

Air Bear® Right Angle				
Model	Supreme		Supreme-HD	
Unit Part Number (British White)	447380-010	447380-510	266380-010	266380-510
Unit Part Number (Warm Grey)	447380-011	447380-511	266380-011	266380-511
Media Part No. (3 Pack)	255649 -102	259112-102	255649 -102	259112-102
MERV Rating	8	11	8	11
Media Size	5" D x 20" H x 24 1/2" W			

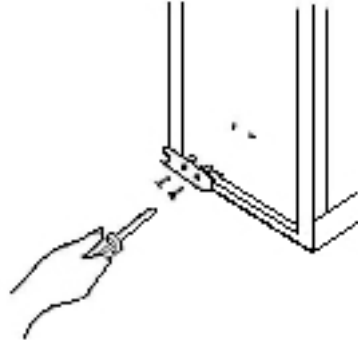
Select Location for the Air Cleaner

Select a location that is readily accessible for periodic inspection and cleaning. Allow a minimum of 30" in front of the access panel for filter removal.

Direction of Airflow through the Air Cleaner

Note: The air cleaner is designed for easy access from either side. Select the location and locate air cleaner opening next to furnace. Install the door handle on the front panel to allow easy access for filter cartridge removal. The direction arrow on the filter cartridge must point in the direction of air flow.

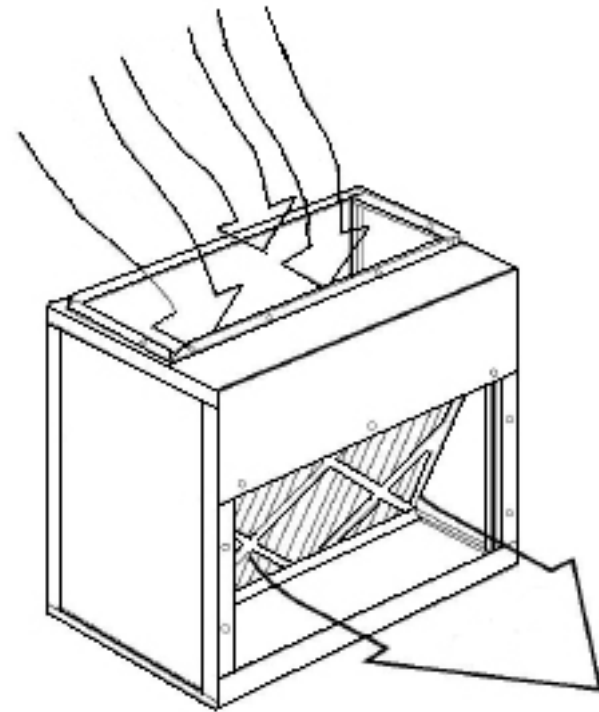
Mounting holes are provided in the air cleaner cabinet for duct work attachment. The .187" holes are sized for #8 sheet metal screws or 1/8" rivets.



Your media air cleaner is a high efficiency air filtration device designed to remove dirt, dust, pollen, and other microscopic particles from the air passing through it.

How It Works

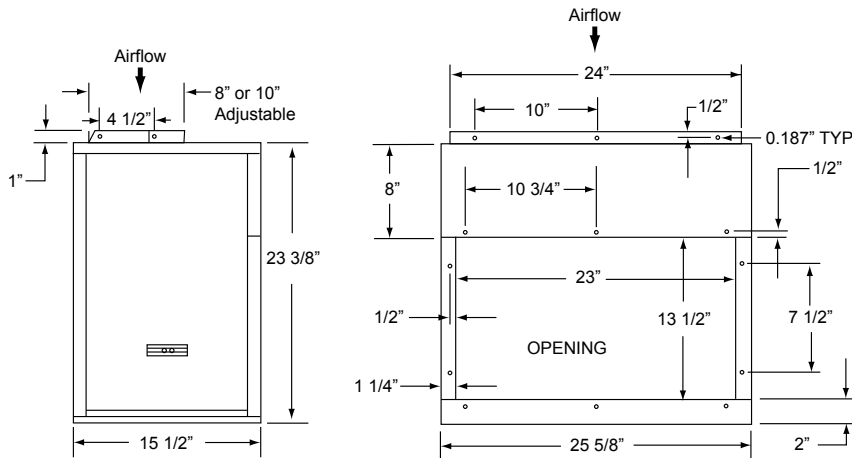
Dirty air enters the air cleaner by way of the return air duct system in your home. Particles are collected by the special pleated filter media. The pleats provide an exceptionally large filtering face area in a very compact space, which allows maximum dirt holding capacity with minimum air flow resistance.



Filter Resistance to Airflow

Air Flow (CFM)	Pressure Drop (Inches Water Gauge)	
	MERV 8	MERV 11
600	0.04	0.05
800	0.07	0.09
1000	0.09	0.10
1200	0.11	0.13
1400	0.14	0.17
1600	0.17	0.21
1800	0.20	0.26
2000	0.23	0.31

Dimensions



Application

The air cleaner is to be installed in a forced air heating, cooling, and ventilation system. It should be installed in the system such that all the system air is circulated through the air cleaner. Maximum performance is obtained when the system blower is set for continuous operation.

Installation Requirements

Locate the air cleaner in the return air duct next to the blower compartment. In this location, the blower motor and the cooling coils will be kept clean. **Do not install the air cleaner in the discharge air duct. Do not install the air cleaner where it is directly exposed to UV Lighting.** The unit must be readily accessible for periodic inspection and replacement of the filter cartridge to maintain maximum efficiency and trouble-free operation. A clean coil will reduce utility cost by maintaining the coil's efficiency. Failure to replace the filter cartridge can cause damage to the cooling system. Allow a minimum of 30" clearance in front of the access panel for filter cartridge replacement.

Air Cleaner Installation and Maintenance

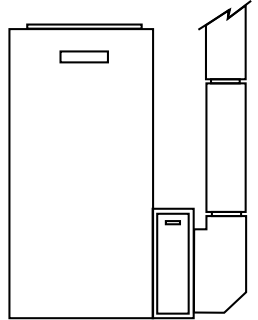
The right angle media air cleaner has been designed specifically for highboy furnaces with direct installation to the heating and cooling system return air duct.

The duct opening of the air cleaner is supplied with an adjustable inlet flange.

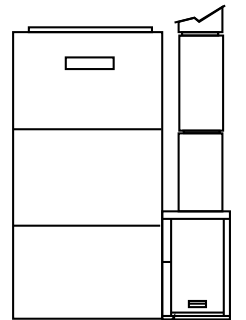
The unit is shipped with the flange set at 24"x 8". If the incoming duct is 24"x 8", attach the duct directly to the flange and secure with sheet metal screws through the pre-drilled holes.

If the flange requires adjustment to 24"x 10", remove the five #6 sheet metal screws securing the flange to the cabinet. Adjust flange to 24" x 10" and secure with screws. Proceed with installation.

TYPICAL INSTALLATION



TRION'S AIR BEAR® RIGHT ANGLE INSTALLATION



AIR BEAR® RIGHT ANGLE
SPACE SAVER
Smaller Footprint!