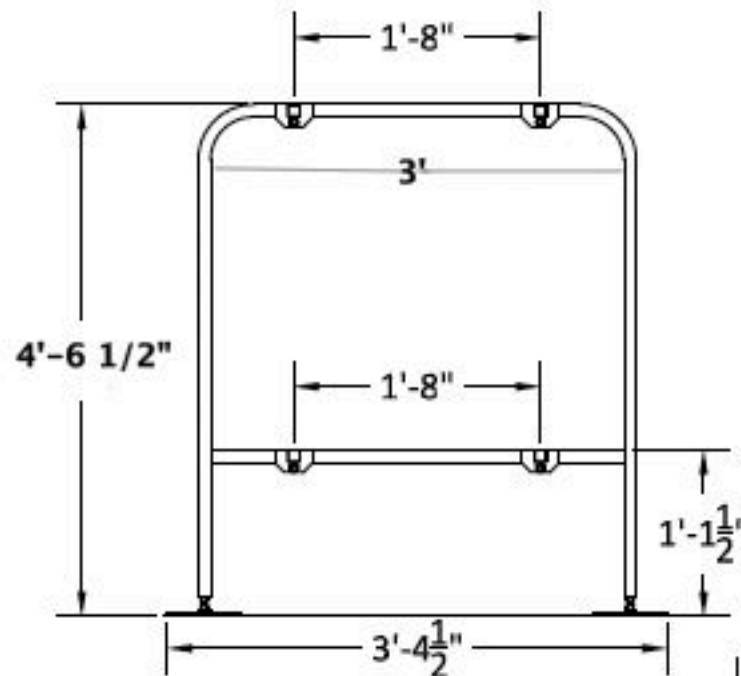
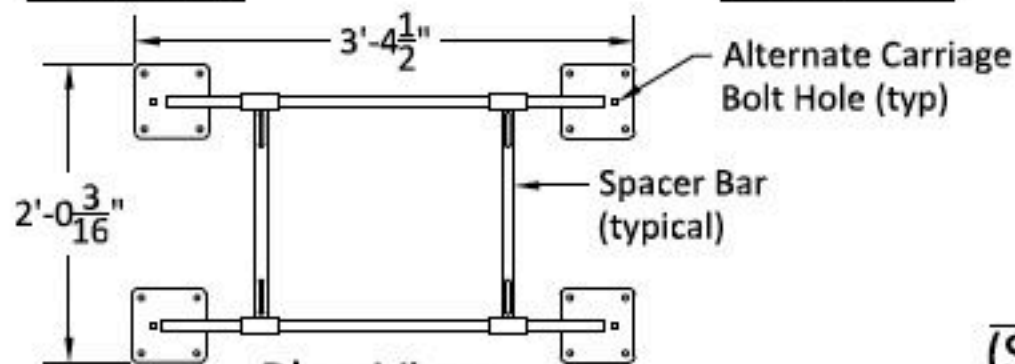


**End View**

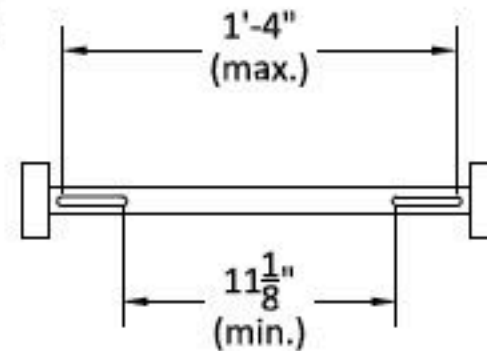


**Side View**

**Important Note:** The installer is responsible for tethering and bolting units to withstand wind and/or seismic loads. Stand is not stable against lateral forces without tethering and bolting.



**Plan View**



**Spacer Bar Detail**  
(Showing Range of Bolt Spacing)



**ASSEMBLY DRAWING**  
"MINI-SPLIT 12"  
DOUBLE STACK  
MODEL NO. QSMS1203

www.quick-sling.com  
email: info@quick-sling.com  
fax: 1-(800)-699-0423

Quick Sling, LLC  
391 W. Water Street  
Taunton, MA 02780  
1-(800)-699-0543