



P: 800.961.7370
www.solerpalau-usa.com

MODEL TR300 (Energy Recovery Ventilators (ERV))



Specifications

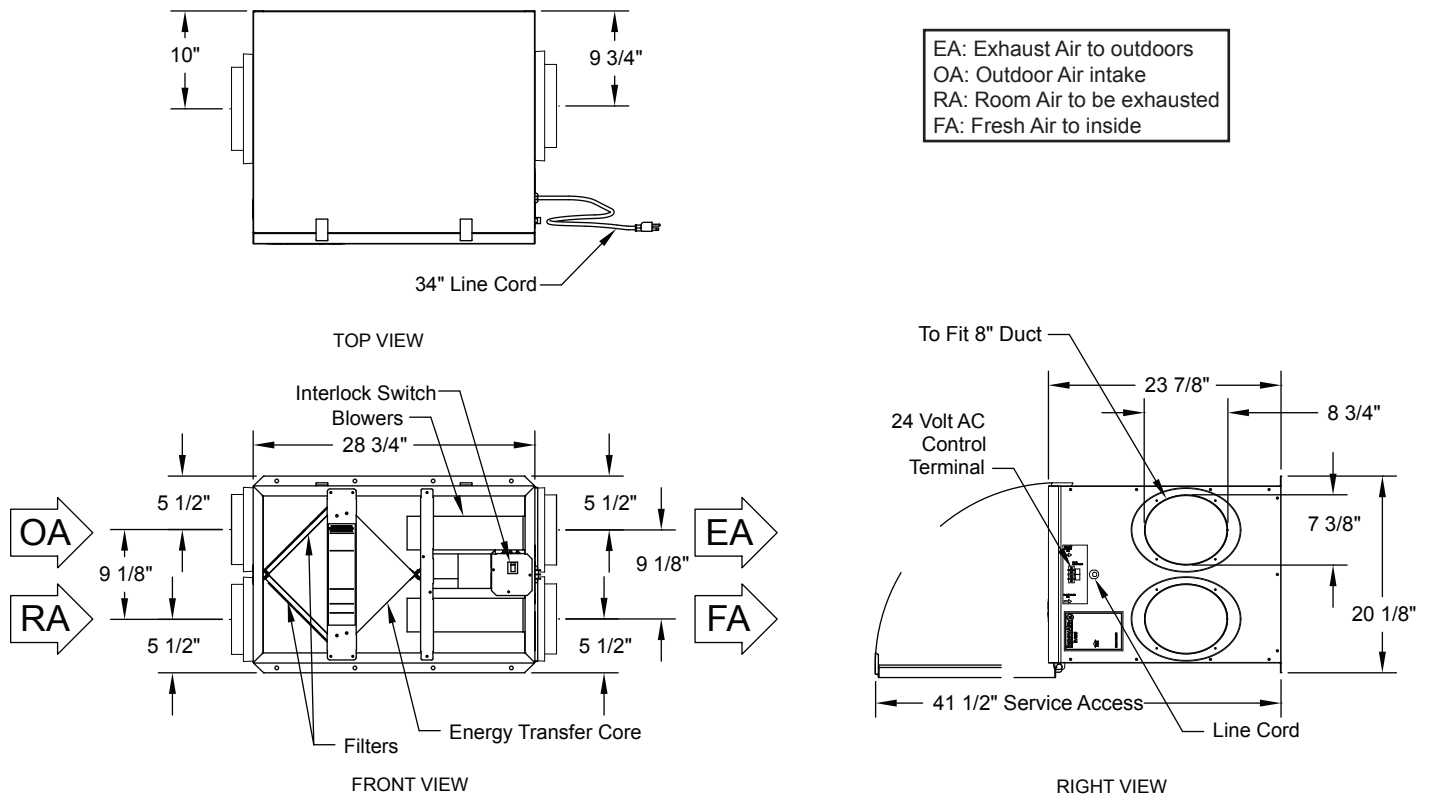
Ventilation Type: Static Plate, Heat and Humidity Transfer				
Typical Airflow Range: 150-300 CFM				
Unit may be mounted in any orientation				
Number Motors: One, 0.2 hp				
V	Hz	Phase	Input Watts	FLA
120	60	Single	310 @ 293 CFM	3.3
Control Voltage: 24 VAC				
Filters: MERV 8, spun polyester media. 10-1/2" x 21-3/4" x 1"				
Weight: 72 lbs (unit), 85 lbs (in carton)				
Shipping Dimensions: 21-1/2" W x 32" L x 29" H				
Options: SPTL - Percentage Timer Control SPBL - Push Button Point-of-Use Control SFM - Percentage Timer Control with Furnace Interlock SHW-20 - Dehumidistat Control				

Core Performance

Airflow CFM	ESP in H ₂ O	Temp EFF%	Total EFF% Winter/Summer*
155	1.0	80	70/51
199	0.9	76	67/48
249	0.8	72	62/44
268	0.7	71	61/42
289	0.6	69	58/39
300	0.5	68	57/38
310	0.4	67	56/37

* Contact Factory for HVI certification report for complete certified rating.

Dimensions



For more information contact us at www.solerpalau-usa.com or 1.800.961.7370 for additional submittal drawings.
Soler & Palau will not be responsible for fabrication changes or errors resulting from customer use of a non-current submittal drawing.