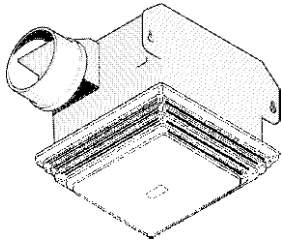




P: 800.961.7370
www.solerpalau-usa.com

MODEL FF80 CEILING FAN

SPECIFICATION SHEET



Dependable, high performance bathroom ventilation.

FEATURES

GRILL:

- Attractive grill conceals interior
- Matte white polymeric – blends well with any decor
- Torsion spring grill mounting – no tools required

MOTOR:

- Plug-in, permanently lubricated
- Centrifugal blower wheel

HOUSING:

- Rugged 26 gauge galvanized steel housing finished with electrically-bonded epoxy paint
- Sturdy key-holed mounting brackets for quick, accurate installation
- Tapered, polymeric duct fitting for easy, positive duct connection and no metallic clatter

U.L. Listed for use in tub/shower enclosure with GFCI branch wiring.

TYPICAL SPECIFICATION

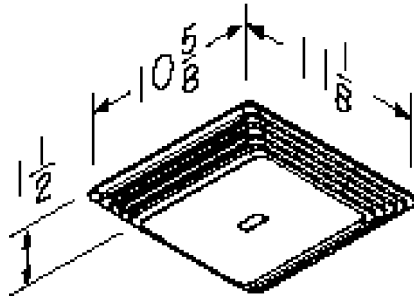
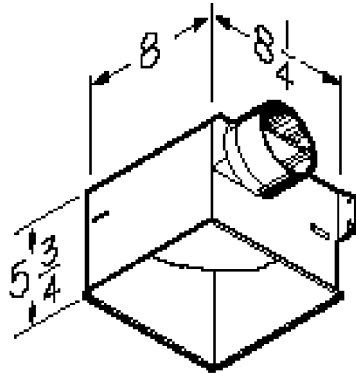
Ventilator shall be Model FF80.

Unit shall have steel housing with dual integral mounting brackets. It shall be ducted to a roof or wall cap.

Motor assembly shall have a centrifugal blower wheel, be removable and permanently lubricated.

Air delivery shall be no less and sound level no greater than listed. All air and sound ratings shall be certified by AMCA.

Unit shall be U.L. Listed.



Breidert Air Products, div. of Soler & Palau Ventilation Group, certifies that the models shown herein are licensed to bear the AMCA Seal. The ratings shown are based on tests and procedures performed in accordance with AMCA Publication 211 (and AMCA Publication 311 if sound is also certified) and comply with the requirements of the AMCA Certified Ratings Program.



AMCA LICENSED PERFORMANCE RATINGS

| Model No. | | CFM/SONES @ Static Pressure (Ps - Inches of H ₂ O) | | | | | Volts | Watts | Nominal RPM | Duct Size | Weight |
|-----------|-------|---|-----|------|------|------|-------|-------|-------------|-----------|----------|
| | | 0.0 | 0.1 | .125 | .250 | .375 | | | | | |
| FF80 | CFM | 89 | 89 | 87 | 77 | 59 | 120 | 48 | 1280 | 4" Round | 8.0 lbs. |
| | Sones | 2.7 | 3.2 | 3.3 | 3.6 | 3.9 | | | | | |

Performance ratings include the effects of inlet grill and backdraft damper in the airstream. Speed (RPM) shown is nominal. Performance is based on actual speed of test. The sound ratings are loudness values in fan sones at 5' (1.5m) in a hemispherical free field calculated per AMCA Std. 301. Values shown are for Installation Type B: free inlet fan sone levels. Performance shown is for Installation Type B: Free inlet, Ducted outlet.

