

# submittal

Job \_\_\_\_\_  
 Location \_\_\_\_\_  
 Submitted to \_\_\_\_\_  
 Submittal Prepared by \_\_\_\_\_  
 Approve Date \_\_\_\_\_  
 Date \_\_\_\_\_

## CRD Series 58 DD & EAD

UL Classified (UL 263) - For use in wood truss floor/  
ceiling assemblies rated 1 hour or less

Approved UL **L-587**, **P-528**, and **L-556** designs,  
equivalent to other designs: L-521, 546, 550, 562, 563  
and P-544

Incorporates UL 555C evaluated ceiling damper  
For use in duct drop applications

22 Ga CRD frame and blades

Field installed 1½" R-6 or 2" R-8 **Ductboard not  
included** (58EAD)

Factory installed 1½" R-6 or 2" R-8 **Ductboard  
included** (58DD)

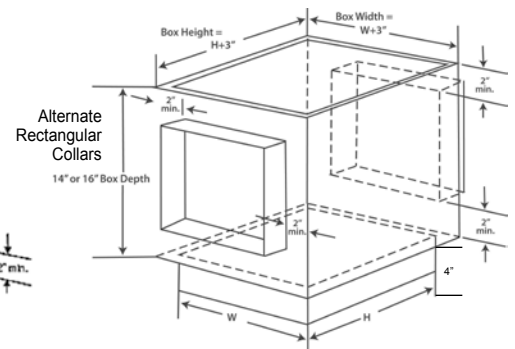
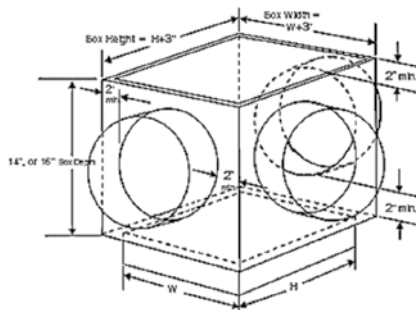
Standard fusible link - 165° (or with optional 212°)

Ceramic thermal blanket provided on units with CRD  
areas greater than 80 square inches

Available in range of sizes from  
4" x 8" x 14"h to 20" x 16" x 16"h



S  
C  
E  
P  
S

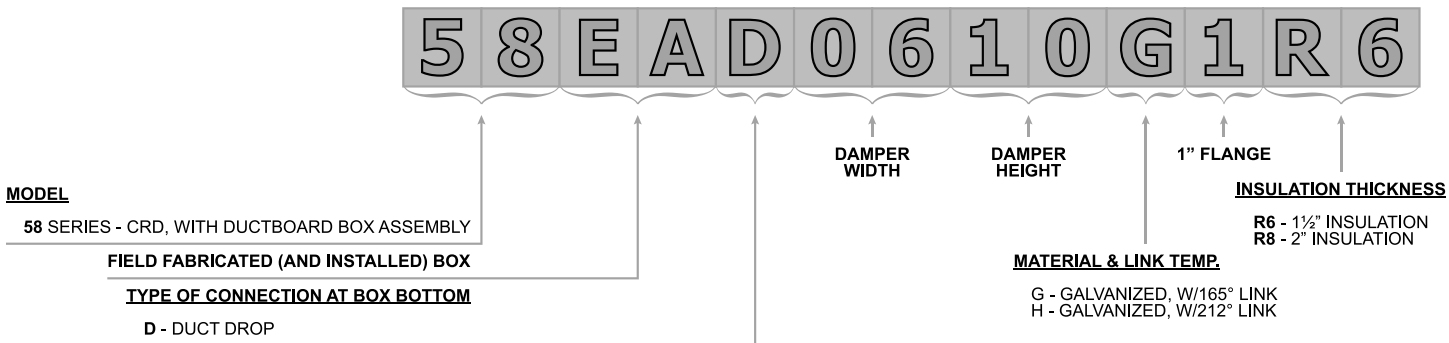
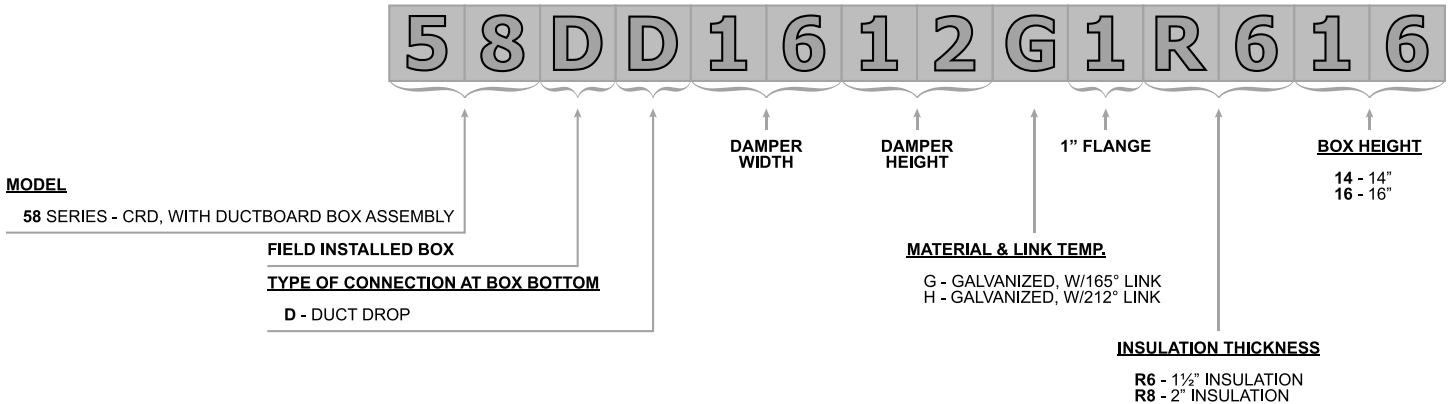


This product meets the requirements for  
ceiling dampers established by:

**UL Standards 263 & 555C**  
**NFPA Standard 90A**  
**ICC Building Codes**

Qty.	Damper Opening		Fusible Link Temp (165° std.)	Bottom Configuration		
	W	H		EAR (G)	EAR (G1)	DD

## Part Number Format



Note: All Box Heights are to be 14" when the damper width or height ≥ 16", the box height must then be 16".  
\* These products are for use in Truss systems of a min. of 18" depth. \*

# Submittal



**Aire Technologies, Inc.**  
a DMI company

Aire Technologies, Inc.  
1502 Industrial Drive  
E. Monongahela, PA 15063

phone: 866.421.AIRE  
fax 724.310.1262

www.airetechnologies.com