



**Aire Technologies, Inc.**  
a DMI company

Aire Technologies, Inc.  
1502 Industrial Drive  
E. Monongahela, PA 15063

phone: 866.421.AIRE  
fax 724.310.1262

www.airetechnologies.com

# submittal

Job \_\_\_\_\_  
 Location \_\_\_\_\_  
 Submitted to \_\_\_\_\_  
 Submittal Prepared by \_\_\_\_\_  
 Approve Date \_\_\_\_\_  
 Date \_\_\_\_\_

## Fire Damper Series 65 Type A

UL Classified - 1½ Hour Rating, Static  
For use in installations rated less than 3 hours

**Thinline Profile (2") 22 Ga.**  
1 piece rollformed frame

Type A Damper  
Blades in air-stream

Available for vertical and horizontal installations

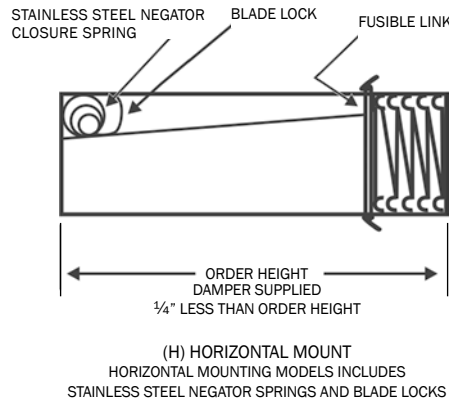
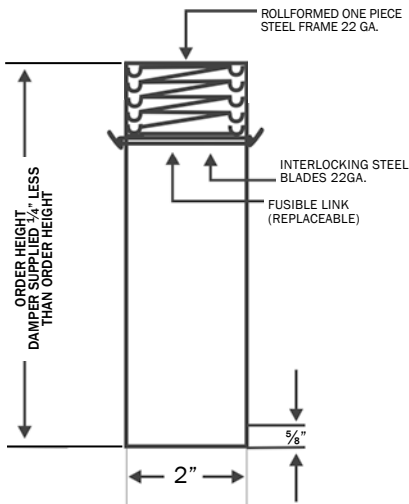
Standard fusible link - 165°F  
(or w/optional 212°F)

Available in stainless steel

Available in single-section sizes from  
Vertical - 4" x 4" to 48" x 49"  
Horizontal - 4" x 4" to 41" x 36"



S  
C  
E  
P  
S



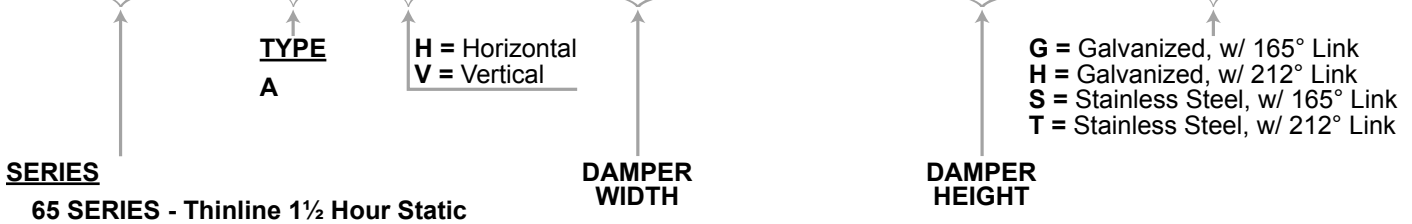
This product meets the requirements  
for fire dampers established by:

**UL Standards 555**  
**NFPA Standard 90A**  
**ICC Building Codes**

Qty.	Mount		Damper Size		Fusible Link Temp (165° F) std.	Factory Sleeve Option			
	(V) vertical (H) horizontal	W	H	Dimensions		Gauge	Material		
				L				K	

## Part Number Format

6 5 A H 0 2 4 0 1 8 G



submittal



**AireTechnologies, Inc.**  
a DMI company

AireTechnologies, Inc.  
1502 Industrial Drive  
E. Monongahela, PA 15063

phone: 866.421.AIRE  
fax 724.310.1262

www.airetechnologies.com