



**Aire Technologies, Inc**  
a DMI company

Aire Technologies, Inc.  
1502 Industrial Drive  
E. Monongahela, PA 15063

phone: 866.421.AIRE  
fax 724.310.1262

www.airetechnologies.com

# submittal

Job \_\_\_\_\_  
Location \_\_\_\_\_  
Submitted to \_\_\_\_\_  
Submittal Prepared by \_\_\_\_\_  
Approve Date \_\_\_\_\_  
Date \_\_\_\_\_

## CRD Series 51 Single Blade

UL Classified - For use in installations  
rated 3 hours or less

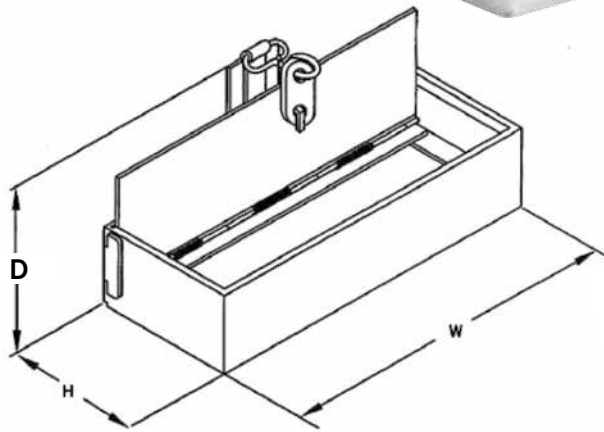
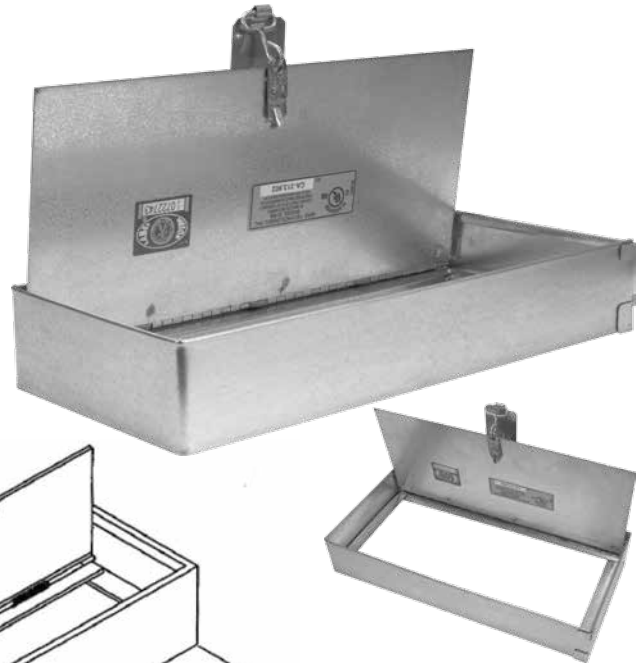
22Ga. 1 piece rollformed frame.

Standard fusible link - 165°  
(or w/optional 212°)

Unique Easy Access link attachment

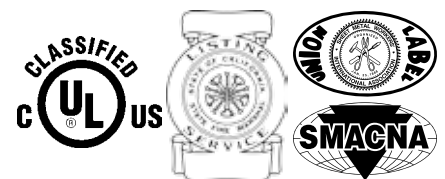
Available in stainless steel

Available in sizes  
6" x 4" to 24" to 12"



$$D = H + 1\frac{1}{2}''$$

S  
C  
E  
P  
S



This product meets the requirements for  
ceiling dampers established by:

**UL Standards 263 & 555C**  
**NFPA Standard 90A**  
**ICC Building Codes**

Qty.	Damper Size		Fusible Link Temp (165°F) std.	Factory Boot Option					
	W	H		Type			Collar Size	Throat Depth	Flange/No Flange
				L	S	E			

## Part Number Format

**5 1 S B 0 6 1 0 G**

**MODEL**

51 SERIES - CRD, RECTANGULAR, SINGLE BLADE, 3 Hour

**TYPE OF BLADE**

SB - SINGLE BLADE

DAMPER WIDTH

DAMPER HEIGHT

**MATERIAL & LINK TEMP.**

G - GALVANIZED, W/165° LINK  
H - GALVANIZED, W/212° LINK  
S - STAINLESS STEEL, W/165° LINK  
T - STAINLESS STEEL, W/212° LINK

submittal



**AireTechnologies, Inc**  
a DMI company

AireTechnologies, Inc.  
1502 Industrial Drive  
E. Monongahela, PA 15063

phone: 866.421.AIRE  
fax 724.310.1262

www.airetechnologies.com