



Manual Wall Control

Made in USA

Model MWC

For Variable Position Damper Control

Installation Instructions

Improved Comfort

The MWC can adjust airflow from a ceiling diffuser to provide just the right amount of cooling and heating to eliminate overcooling and overheating in the work

Reduce Energy Usage


Reduce the airflow to a space when the space is vacant and higher swings in space temperature are allowed. The result is lower energy usage.

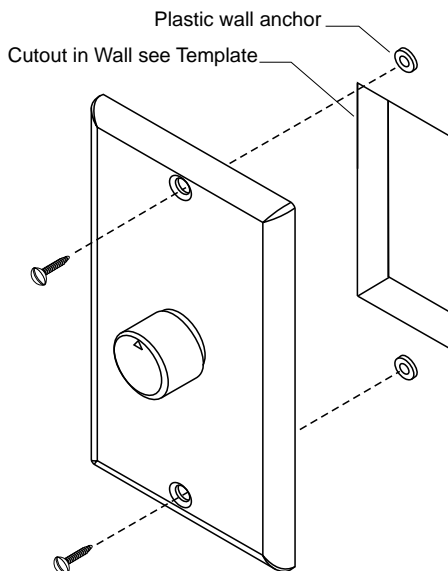


www.eControlsUSA.com

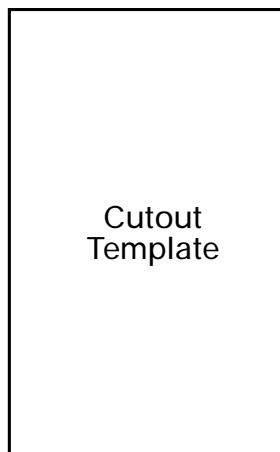
ECeControls

26945 Cabot Road, Bldg #101 / Laguna Hills, CA 92653 / 949-916-0945 Fax 949-458-8502

Place the template on the wall and mark the mounting holes and cutout corners with a sharp scribe. 



Installation Directly in a Wall





Manual Wall Control

Made in USA

Model MWC

For Variable Position Damper Control

Installation Instructions

Improved Comfort

The MWC can adjust airflow from a ceiling diffuser to provide just the right amount of cooling and heating to eliminate overcooling and overheating in the work

Reduce Energy Usage


Reduce the airflow to a space when the space is vacant and higher swings in space temperature are allowed. The result is lower energy usage.

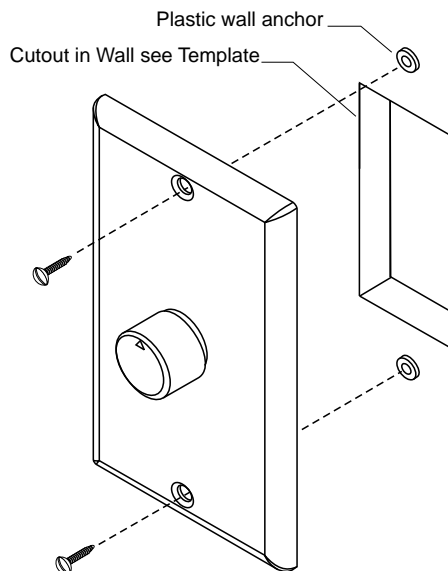


www.eControlsUSA.com

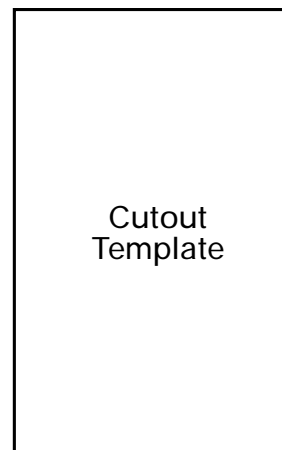
ECeControls

26945 Cabot Road, Bldg #101 / Laguna Hills, CA 92653 / 949-916-0945 Fax 949-458-8502

Place the template on the wall and mark the mounting holes and cutout corners with a sharp scribe. 



Installation Directly in a Wall





Manual Wall Control

Made in USA

Model MWC

For Variable Position Damper Control

Installation Instructions

Improved Comfort

The MWC can adjust airflow from a ceiling diffuser to provide just the right amount of cooling and heating to eliminate overcooling and overheating in the work

Reduce Energy Usage


Reduce the airflow to a space when the space is vacant and higher swings in space temperature are allowed. The result is lower energy usage.

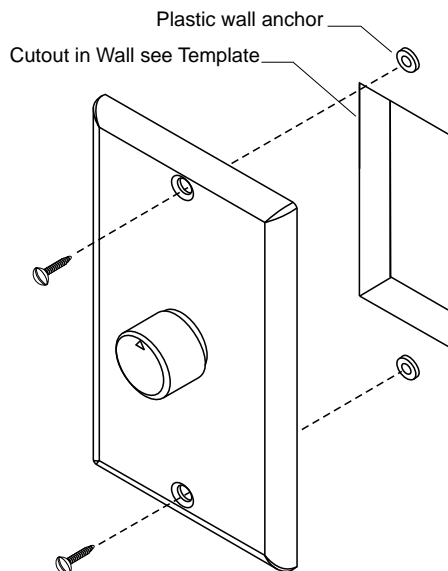


www.eControlsUSA.com

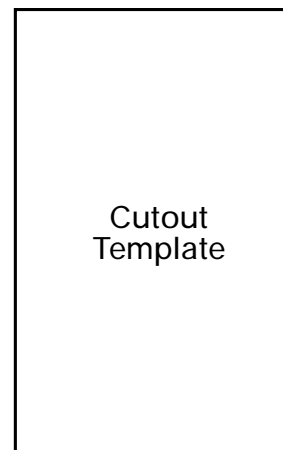
ECeControls

26945 Cabot Road, Bldg #101 / Laguna Hills, CA 92653 / 949-916-0945 Fax 949-458-8502

Place the template on the wall and mark the mounting holes and cutout corners with a sharp scribe. 



Installation Directly in a Wall





Manual Wall Control

Made in USA

Model MWC

For Variable Position Damper Control

Installation Instructions

Improved Comfort

The MWC can adjust airflow from a ceiling diffuser to provide just the right amount of cooling and heating to eliminate overcooling and overheating in the work

Reduce Energy Usage


Reduce the airflow to a space when the space is vacant and higher swings in space temperature are allowed. The result is lower energy usage.

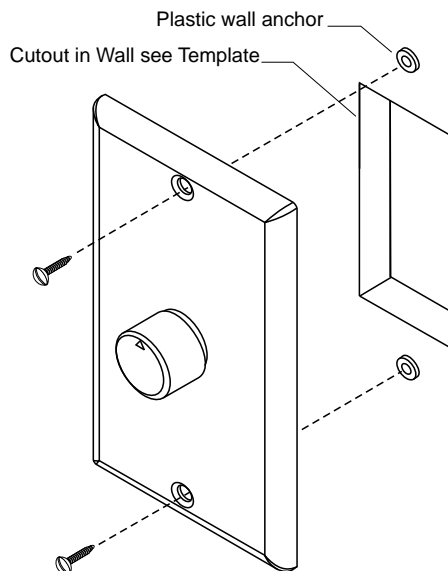


www.eControlsUSA.com

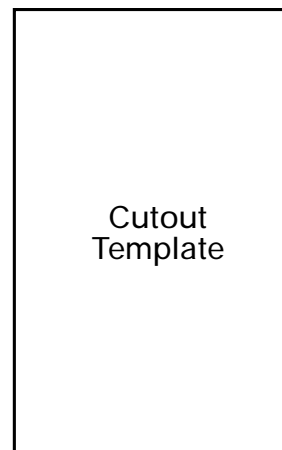
ECeControls

26945 Cabot Road, Bldg #101 / Laguna Hills, CA 92653 / 949-916-0945 Fax 949-458-8502

Place the template on the wall and mark the mounting holes and cutout corners with a sharp scribe. 

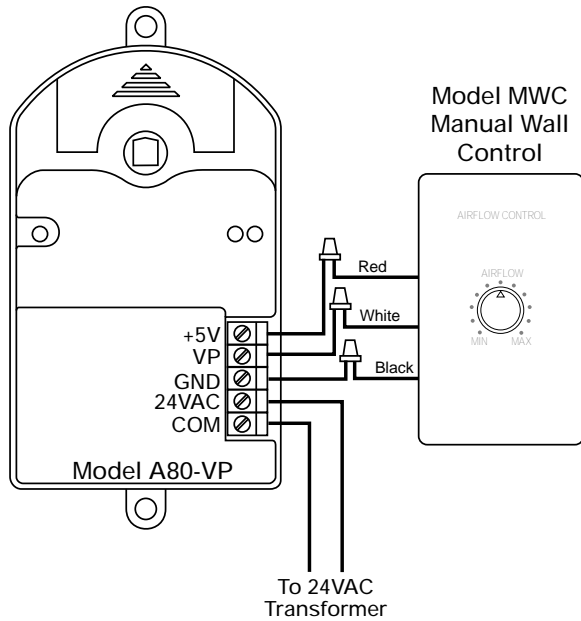


Installation Directly in a Wall



Wiring the Manual Wall Control

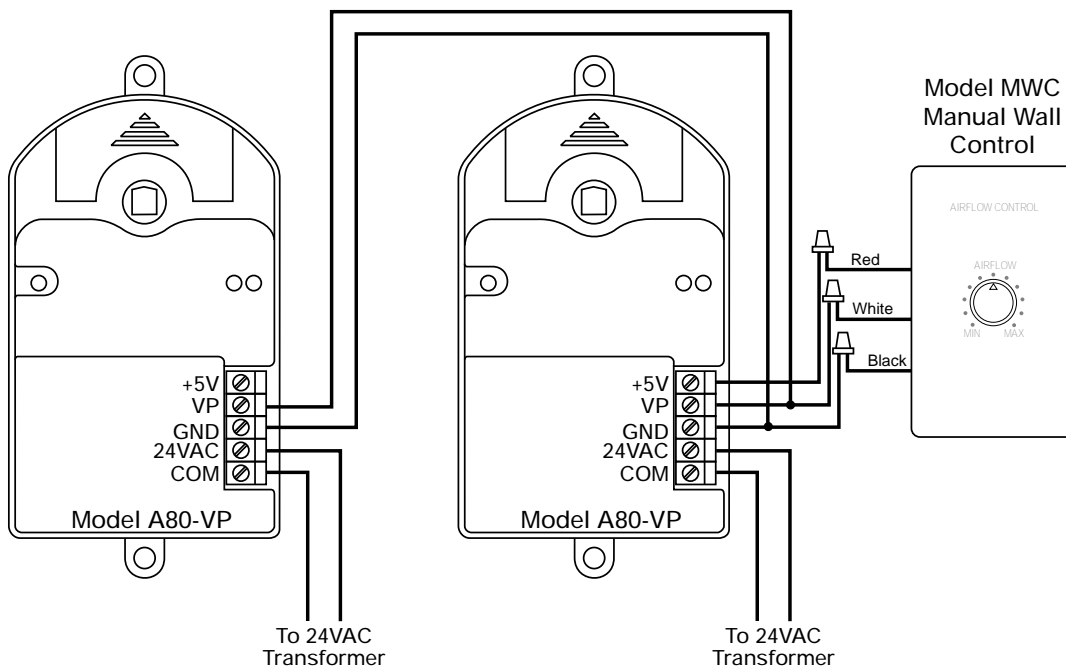
A VPD Damper and MWC Manual Wall Control are connected using the GND, VP and +5V terminals.



Wiring Using One MWC to Control Multiple VPD Dampers

A single Manual Wall Control can control multiple VPD dampers using the VP and GND terminals. Up to six VPD dampers can be controlled by one Manual Wall Control.

IMPORTANT! The +5V terminal on only the first damper is connected to the Manual Wall Control.





Manual Wall Control

Made in USA

Model MWC

For Variable Position Damper Control

Installation Instructions

Improved Comfort

The MWC can adjust airflow from a ceiling diffuser to provide just the right amount of cooling and heating to eliminate overcooling and overheating in the work

Reduce Energy Usage


Reduce the airflow to a space when the space is vacant and higher swings in space temperature are allowed. The result is lower energy usage.

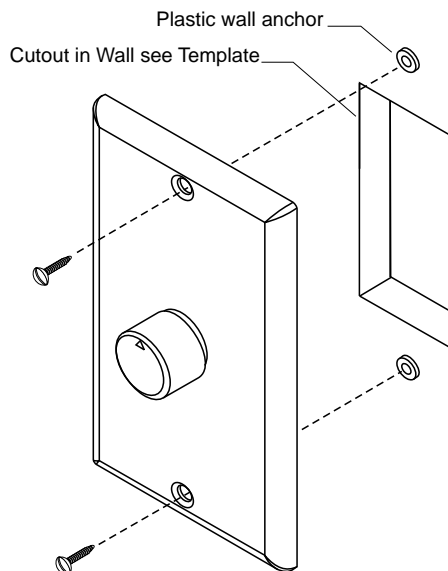


www.eControlsUSA.com

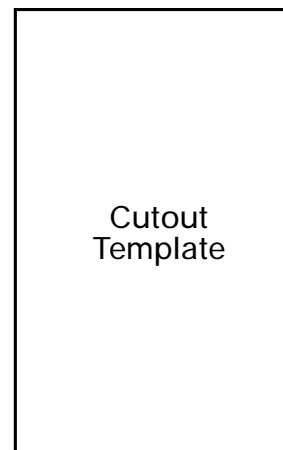
ECeControls

26945 Cabot Road, Bldg #101 / Laguna Hills, CA 92653 / 949-916-0945 Fax 949-458-8502

Place the template on the wall and mark the mounting holes and cutout corners with a sharp scribe. 



Installation Directly in a Wall





Manual Wall Control

Made in USA

Model MWC

For Variable Position Damper Control

Installation Instructions

Improved Comfort

The MWC can adjust airflow from a ceiling diffuser to provide just the right amount of cooling and heating to eliminate overcooling and overheating in the work

Reduce Energy Usage


Reduce the airflow to a space when the space is vacant and higher swings in space temperature are allowed. The result is lower energy usage.

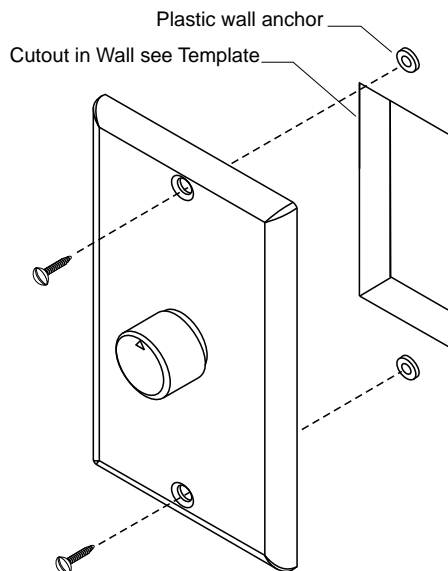


www.eControlsUSA.com

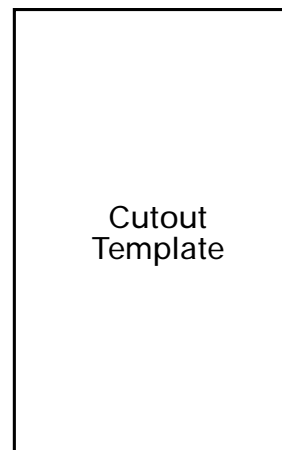
ECeControls

26945 Cabot Road, Bldg #101 / Laguna Hills, CA 92653 / 949-916-0945 Fax 949-458-8502

Place the template on the wall and mark the mounting holes and cutout corners with a sharp scribe. 



Installation Directly in a Wall





Manual Wall Control

Made in USA

Model MWC

For Variable Position Damper Control

Installation Instructions

Improved Comfort

The MWC can adjust airflow from a ceiling diffuser to provide just the right amount of cooling and heating to eliminate overcooling and overheating in the work

Reduce Energy Usage


Reduce the airflow to a space when the space is vacant and higher swings in space temperature are allowed. The result is lower energy usage.

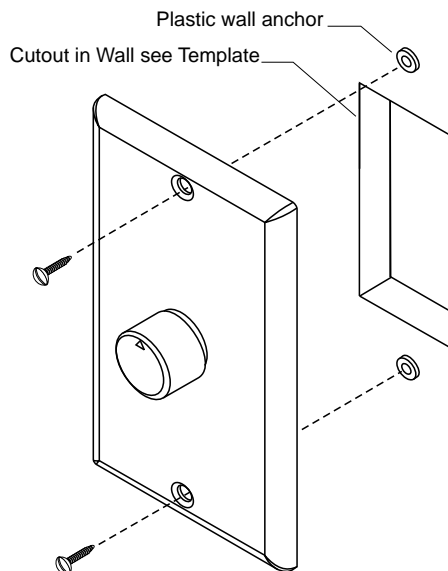


www.eControlsUSA.com

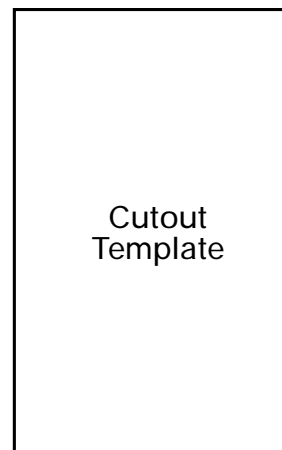
ECeControls

26945 Cabot Road, Bldg #101 / Laguna Hills, CA 92653 / 949-916-0945 Fax 949-458-8502

Place the template on the wall and mark the mounting holes and cutout corners with a sharp scribe. 



Installation Directly in a Wall





Manual Wall Control

Made in USA

Model MWC

For Variable Position Damper Control

Installation Instructions

Improved Comfort

The MWC can adjust airflow from a ceiling diffuser to provide just the right amount of cooling and heating to eliminate overcooling and overheating in the work

Reduce Energy Usage


Reduce the airflow to a space when the space is vacant and higher swings in space temperature are allowed. The result is lower energy usage.

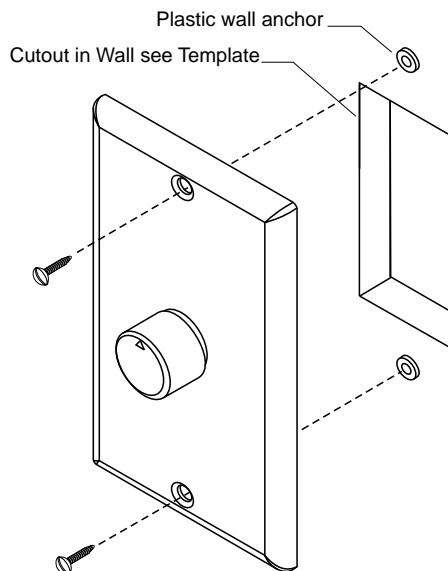


www.eControlsUSA.com

ECeControls

26945 Cabot Road, Bldg #101 / Laguna Hills, CA 92653 / 949-916-0945 Fax 949-458-8502

Place the template on the wall and mark the mounting holes and cutout corners with a sharp scribe. 



Installation Directly in a Wall

