

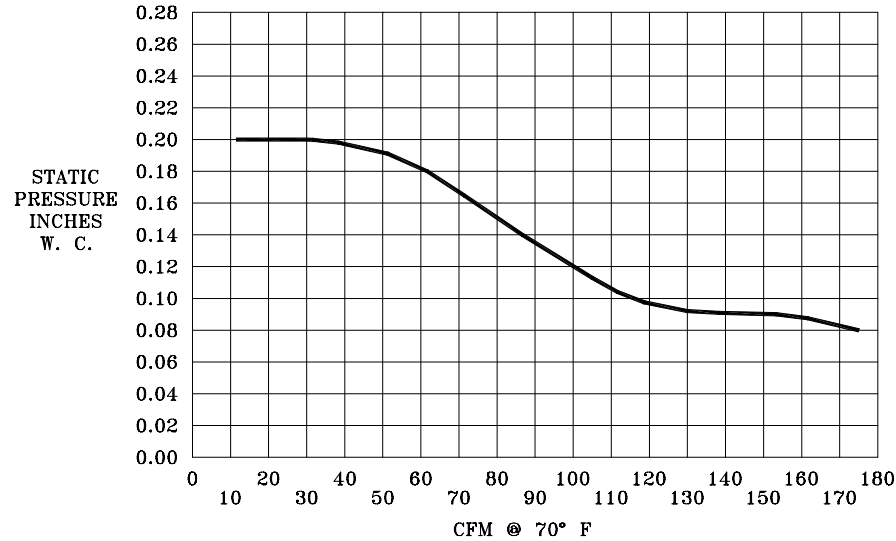
| ELECTRICAL DATA | |
|--------------------|---------|
| Volts | 115 |
| Amps | .40 |
| Watts | 30 |
| Phase | 1 |
| Hertz | 60 |
| Open Drip Proof | Auto |
| Therm. Protect | Yes |
| RPM | 3000 |
| UL FILE NUMBER | |
| Motor Construction | E-40513 |



TJERNLUND PRODUCTS, INC.

1601 Ninth Street • White Bear Lake, MN 55110-6794
 PHONE (800) 255-4208 • (651) 426-2993 • FAX (651) 426-9547
 Visit our web site • www.tjernlund.com

EA-5 & EF-6 FAN CURVE



APPLICATION:

Used as a means of increasing air flow through duct work or as an exhaust fan to vent non-combustible air or fumes from enclosed spaces. The maximum air flow operating temperature for the EF-Series is 150° F. (65° C.)

ACCESSORIES:

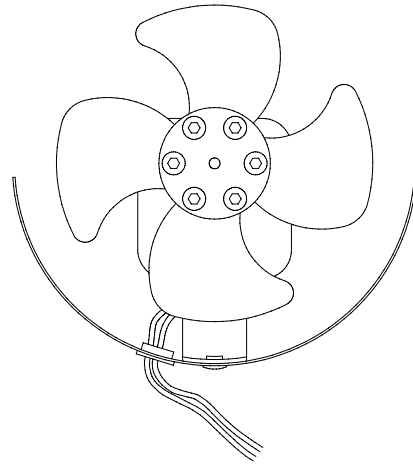
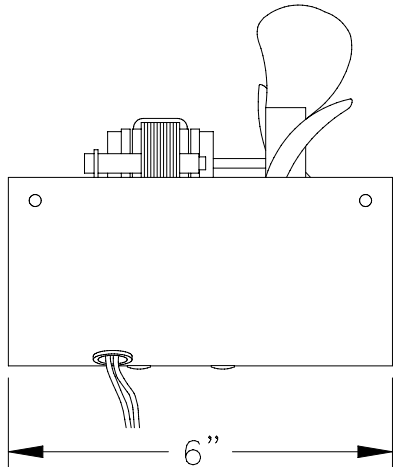
The EA-5, EF-6 can be activated with the optional model PS1503 Duct Airstat.

The EA-5, EF-6 can utilize the optional model SC-1 Speed Control.

CAUTION: This device is not designed to vent bi-products of combustion or combustible fumes.

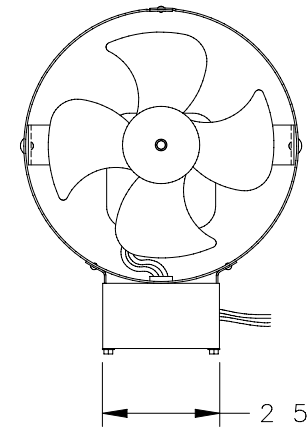
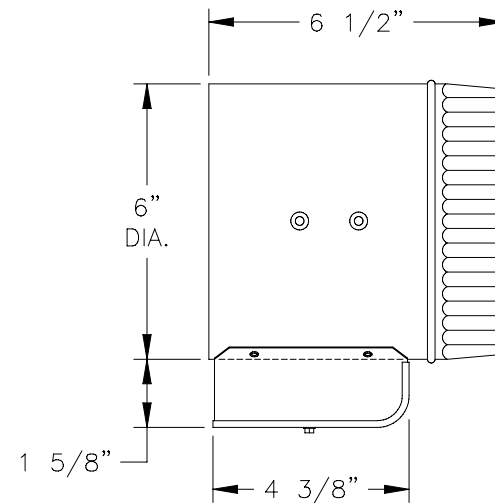
NOTE: Tjernlund Products reserves the right to make changes to specifications without notification.

EA-5



Model EA-5 may be mounted in round or flat ducts 6" in diameter or larger. Housing shroud can be straightened for mounting in flat ducts. Model DB-2 is also suitable for mounting in round or flat ducts.

EF-6



P/N 8506004 REV 10/02
 Copyright © 2002

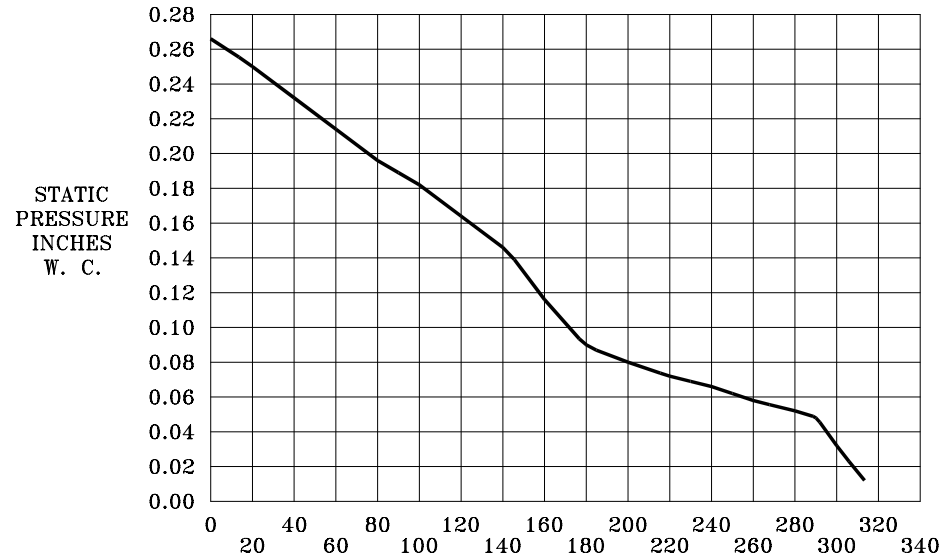
| ELECTRICAL DATA | |
|--------------------|---------|
| Volts | 115 |
| Amps | 1.1 |
| Watts | 56 |
| Phase | 1 |
| Hertz | 60 |
| Open Drip Proof | Auto |
| Therm. Protect | Yes |
| R.P.M. | 3000 |
| UL FILE NUMBER | |
| Motor Construction | E-40513 |



TJERNLUND PRODUCTS, INC.

1601 Ninth Street • White Bear Lake, MN 55110-6794
 PHONE (800) 255-4208 • (651) 426-2993 • FAX (651) 426-9547
 Visit our web site • www.tjernlund.com

EF-8 FAN CURVE



APPLICATION:

Used as a means of increasing air flow through duct work or as an exhaust fan to vent non-combustible air or fumes from enclosed spaces. The maximum air flow operating temperature for the EF-Series is 150° F. (65° C.)

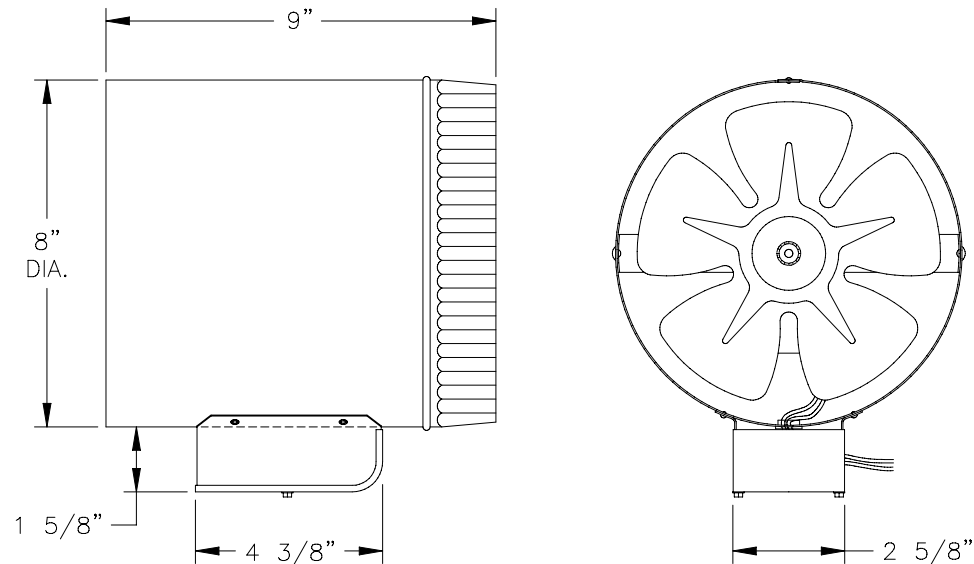
ACCESSORIES:

The EF-8 can be activated with the optional model PS1503 Duct Airstat.

The EF-8 can utilize the optional model SC-1 Speed Control.

CAUTION: This device is not designed to vent bi-products of combustion or combustible fumes.

NOTE: Tjernlund Products reserves the right to make changes to specifications without notification.



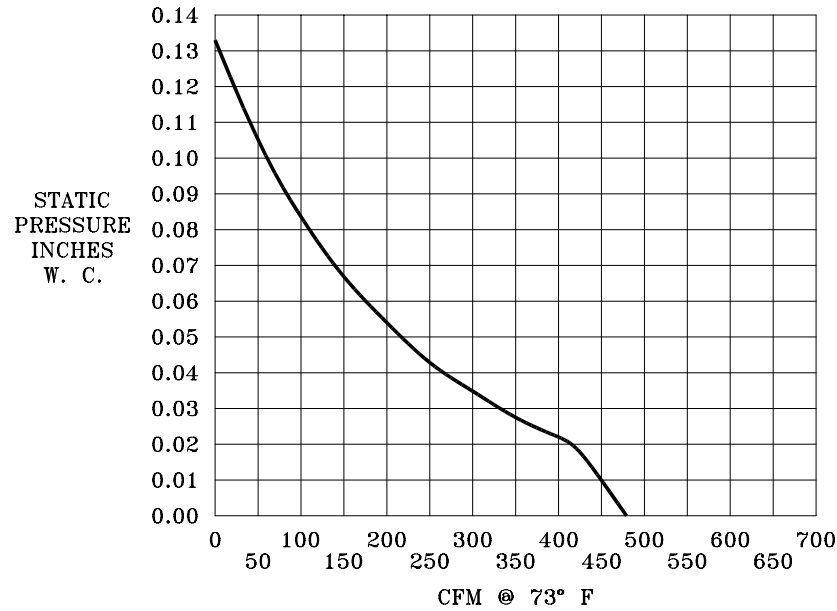
| ELECTRICAL DATA | |
|--------------------|---------|
| Volts | 115 |
| Amps | .46 |
| Watts | 36 |
| H.P. | 1/100 |
| Phase | 1 |
| Hertz | 60 |
| Open Drip Proof | Auto |
| Therm. Protect | Yes |
| R.P.M. | 1550 |
| UL FILE NUMBER | |
| Motor Construction | E-40513 |



TJERNLUND PRODUCTS, INC.

1601 Ninth Street • White Bear Lake, MN 55110-6794
 PHONE (800) 255-4208 • (651) 426-2993 • FAX (651) 426-9547
 Visit our web site • www.tjernlund.com

EF-10 FAN CURVE



APPLICATION:

Used as a means of increasing air flow through duct work or as an exhaust fan to vent non-combustible air or fumes from enclosed spaces. The maximum air flow operating temperature for the EF-Series is 150° F. (65° C.)

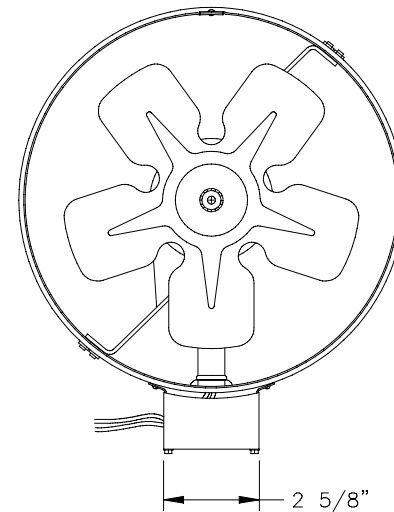
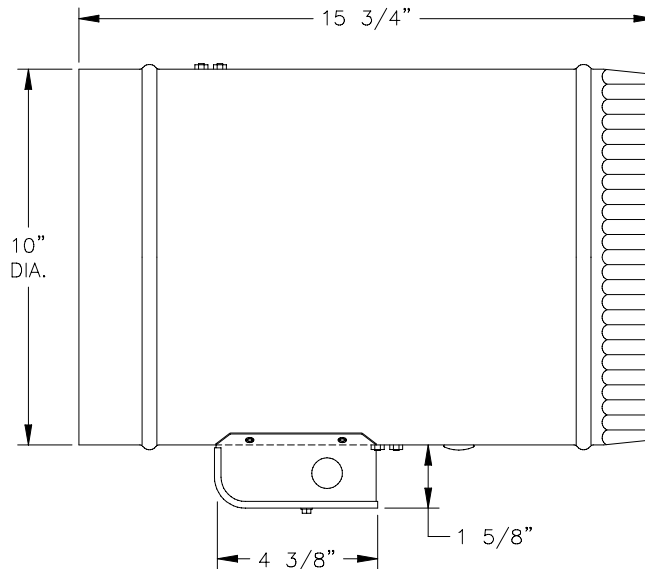
ACCESSORIES:

The EF-10 can be activated with the optional model PS1503 Duct Airstat.

The EF-10 can utilize the optional model SC-1 Speed Control.

CAUTION: This device is not designed to vent bi-products of combustion or combustible fumes.

NOTE: Tjernlund Products reserves the right to make changes to specifications without notification.



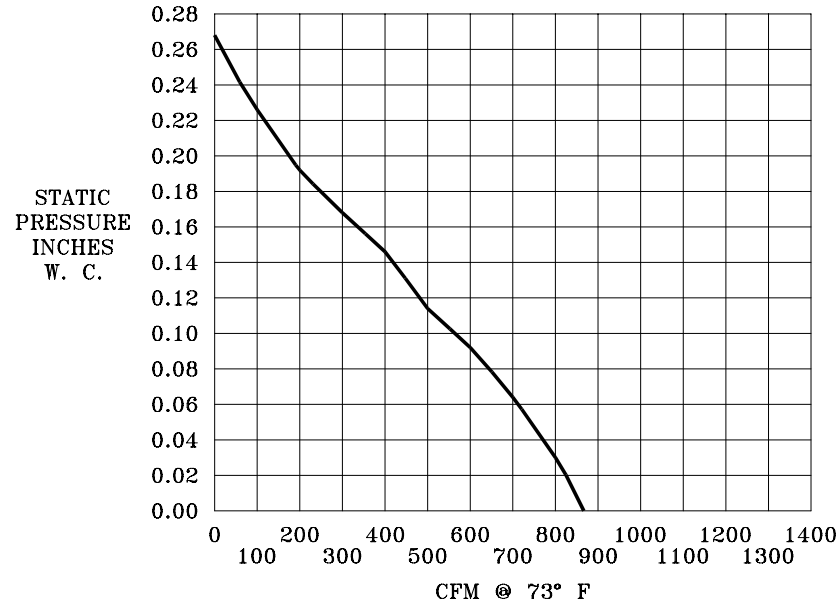
| ELECTRICAL DATA | |
|--------------------|---------|
| Volts | 115 |
| Amps | 1.25 |
| Watts | 96 |
| H.P. | 1/35 |
| Phase | 1 |
| Hertz | 60 |
| Open Drip Proof | Auto |
| Therm. Protect | Yes |
| R.P.M. | 1550 |
| UL FILE NUMBER | |
| Motor Construction | E-40513 |



TJERNLUND PRODUCTS, INC.

1601 Ninth Street • White Bear Lake, MN 55110-6794
 PHONE (800) 255-4208 • (651) 426-2993 • FAX (651) 426-9547
 Visit our web site • www.tjernlund.com

EF-12 FAN CURVE



APPLICATION:

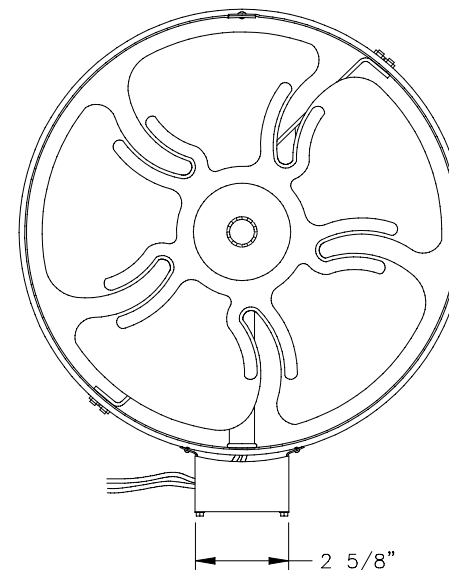
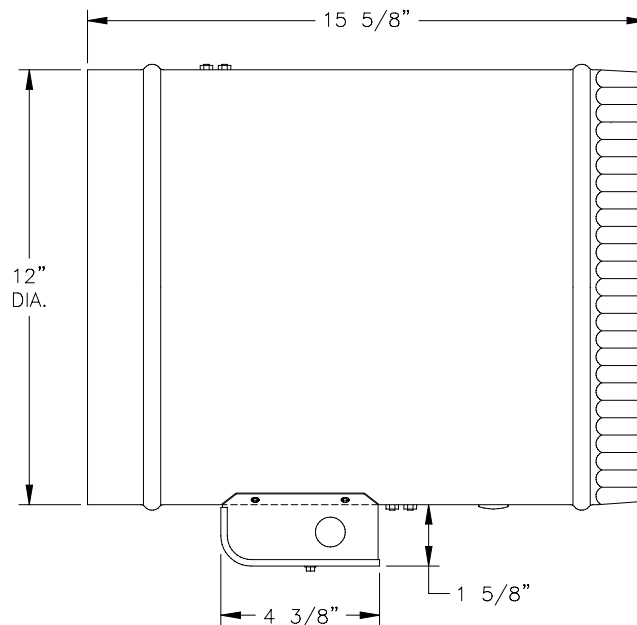
Used as a means of increasing air flow through duct work or as an exhaust fan to vent non-combustible air or fumes from enclosed spaces. The maximum air flow operating temperature for the EF-Series is 150° F. (65° C.)

ACCESSORIES:

The EF-12 can be activated with the optional model PS1503 Duct Airstat.

CAUTION: This device is not designed to vent bi-products of combustion or combustible fumes.

NOTE: Tjernlund Products reserves the right to make changes to specifications without notification.



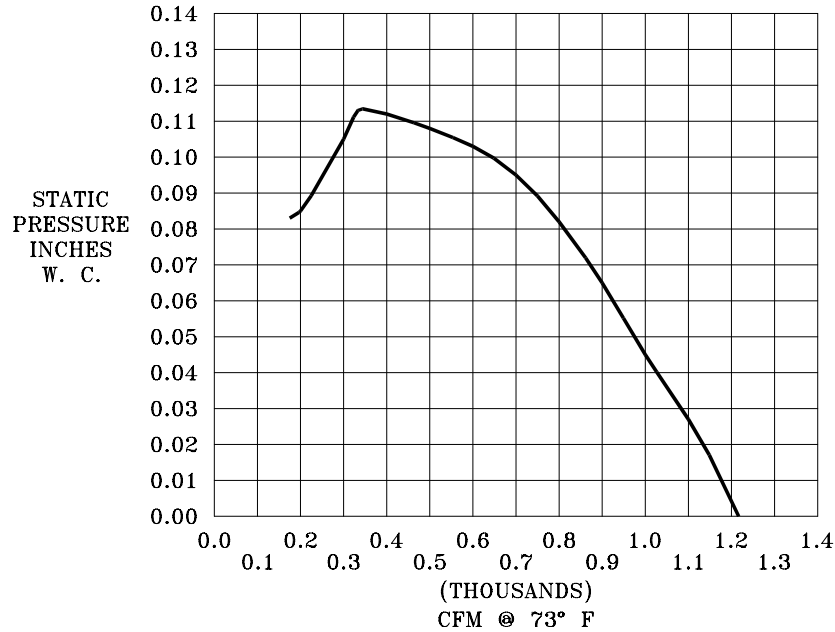
| ELECTRICAL DATA | |
|--------------------|---------|
| Volts | 115 |
| Amps | 1.70 |
| Watts | 122 |
| H.P. | 1/25 |
| Phase | 1 |
| Hertz | 60 |
| Open Drip Proof | Auto |
| Therm. Protect | Yes |
| R.P.M. | 1450 |
| UL FILE NUMBER | |
| Motor Construction | E-59097 |



TJERNLUND PRODUCTS, INC.

1601 Ninth Street • White Bear Lake, MN 55110-6794
 PHONE (800) 255-4208 • (651) 426-2993 • FAX (651) 426-9547
 Visit our web site • www.tjernlund.com

EF-14 FAN CURVE



APPLICATION:

Used as a means of increasing air flow through duct work or as an exhaust fan to vent non-combustible air or fumes from enclosed spaces. The maximum air flow operating temperature for the EF-Series is 150° F. (65° C.)

ACCESSORIES:

The EF-14 can be activated with the optional model PS1503 Duct Airstat.

CAUTION: This device is not designed to vent bi-products of combustion or combustible fumes.

NOTE: Tjernlund Products reserves the right to make changes to specifications without notification.

