

WALL BRACKET

| MODEL | DESCRIPTION | WT LBS. |
|---------------|--------------|---------|
| PCK-30 | WALL BRACKET | 30 |

This bracket offers a galvanized finish along with extra integral cross bracing for the ultimate in stability.

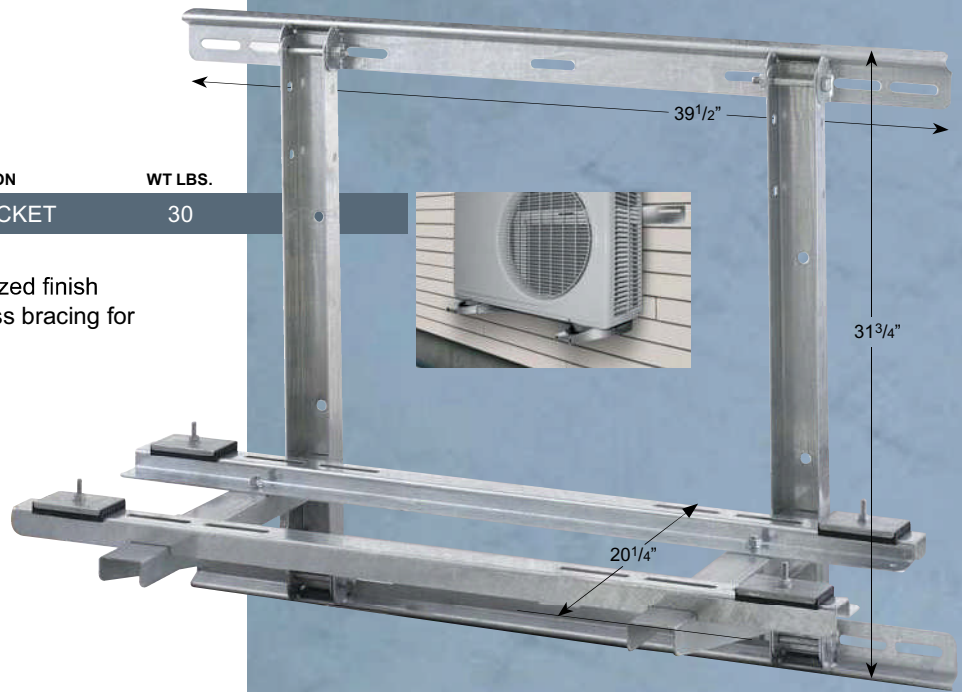
Finish:

Galvanized

Min/Max mounting width:
15³/₄" - 35¹/₄"

Min/Max mounting depth:
9³/₄" - 15"

Max load capacity:
330 lbs



UNDER WINDOW BRACKET

| MODEL | DESCRIPTION | WT LBS. |
|-------------|----------------------|---------|
| CBZG | UNDER WINDOW BRACKET | 9 |

Having a top cross bar allows this bracket to be installed under a window or other obstacle. Ideal for window type air conditioner support..

Finish:

Galvanized

Min/Max mounting width:
11³/₄" - 27¹/₂"

Min/Max mounting depth:
6¹/₄" - 13"

Max load capacity:
176 lbs

